

M/s.Jaya Durga Mahila Samiti

Office: At/Post Balapur, Via Satasankha, PS Satyabadi, Puri District, Odisha

Tender Notice No.SFURTI-II/ODI-Radharani/Bldg-001/2019-20 dt. 19.02.2020

Sealed Tenders are invited by **M/s.Jaya Durga Mahila Samity**, the Implementing Agency (IA) of **Radharani Coir Cluster**, from reputed civil contractors for the following works under the **Scheme of Fund for Regeneration of Traditional Industries (SFURTI)** of Coir Board, Ministry of MSME, Government of India.

| Name of Work | EMD | | | | | | | | | | | | | | | | | | | | | | | | |
|---|--|--------------|---------|--------------|----|-----------|----------|----|------------|----------|----|-------------|----------|----|------------|----------|----|-----------|----------|----|------------|----------|----|-------------|----------|
| Construction of Industrial Work Shed Buildings and Amenities for the Common Facility Center of Radharani Coir Cluster in 7 locations. | <p>The tender comprises of 7 packages:</p> <table border="1"><thead><tr><th>S.No</th><th>Package</th><th>EMD (in Rs.)</th></tr></thead><tbody><tr><td>1.</td><td>Package I</td><td>40,000/-</td></tr><tr><td>2.</td><td>Package II</td><td>40,000/-</td></tr><tr><td>3.</td><td>Package III</td><td>10,000/-</td></tr><tr><td>4.</td><td>Package IV</td><td>10,000/-</td></tr><tr><td>5.</td><td>Package V</td><td>10,000/-</td></tr><tr><td>6.</td><td>Package VI</td><td>10,000/-</td></tr><tr><td>7.</td><td>Package VII</td><td>10,000/-</td></tr></tbody></table> <p>EMD in the form of Demand Draft drawn in favour of "Jayadurga Mahila Samiti", payable at Puri.</p> | S.No | Package | EMD (in Rs.) | 1. | Package I | 40,000/- | 2. | Package II | 40,000/- | 3. | Package III | 10,000/- | 4. | Package IV | 10,000/- | 5. | Package V | 10,000/- | 6. | Package VI | 10,000/- | 7. | Package VII | 10,000/- |
| S.No | Package | EMD (in Rs.) | | | | | | | | | | | | | | | | | | | | | | | |
| 1. | Package I | 40,000/- | | | | | | | | | | | | | | | | | | | | | | | |
| 2. | Package II | 40,000/- | | | | | | | | | | | | | | | | | | | | | | | |
| 3. | Package III | 10,000/- | | | | | | | | | | | | | | | | | | | | | | | |
| 4. | Package IV | 10,000/- | | | | | | | | | | | | | | | | | | | | | | | |
| 5. | Package V | 10,000/- | | | | | | | | | | | | | | | | | | | | | | | |
| 6. | Package VI | 10,000/- | | | | | | | | | | | | | | | | | | | | | | | |
| 7. | Package VII | 10,000/- | | | | | | | | | | | | | | | | | | | | | | | |

The tender Schedule can be downloaded at free of cost from the website **www.coirboard.gov.in** or **www.itcot.com** upto 5.00 PM on 10.03.2020.

The last date for submission of tenders is upto 2.00 P.M on **11.03.2020** and the same will be opened on the same day at 3.00 PM. The tender document shall be submitted at the office of M/s.Jaya Durga Mahila Samiti, At/Post Balapur, Via Satasankha, PS Sathyabadi, Puri District, Odisha - 752046.

SECRETARY

M/s.Jaya Durga Mahila Samity

(Implementing Agency - Radharani Coir Cluster, Puri District)

Office: At/Post Balapur, Via Satasankha, PS Sathyabadi, Puri District

Mobile: +91-6371178281, **Email:** jayadurga.org@gmail.com

TENDER REFERENCE No. SFURTI-II/ODI-RADHARANI/BLDG-001/2019-20

TENDER FOR THE CONSTRUCTION OF INDUSTRIAL WORK SHED BUILDINGS AND AMENITIES FOR THE COMMON FACILITY CENTER OF RADHARANI COIR CLUSTER

| | |
|---|----------------------|
| Date & Time of Release of Tender | 19.02.2020, 10.00 AM |
| Date & Time of Pre-Bid Meeting | 02.03.2020, 11.00 AM |
| Last Date & Time for Submission of Bid | 11.03.2020, 02.00 PM |
| Date & Time of Opening of Bid (Technical bid only) | 11.03.2020, 03.00 PM |

Technical Agency (SFURTI)

ITCOT Consultancy and Services Limited

E-mail: info@itcot.com, **Website:** www.itcot.com

CONTENTS

| Clause | Topic | Page No. |
|--------|--|----------|
| 1. | PREAMBLE..... | 1 |
| 2. | SCOPE OF WORK | 2 |
| 3. | QUALIFICATION CRITERIA..... | 2 |
| 4. | LANGUAGE OF THE TENDER | 3 |
| 5. | PURCHASE OF TENDER DOCUMENT..... | 4 |
| 6. | PREBID MEETING | 4 |
| 7. | CLARIFICATION ON THE TENDER DOCUMENT..... | 4 |
| 8. | AMENDMENT OF TENDER DOCUMENT..... | 4 |
| 9. | AUTHORISATION OF THE TENDERER..... | 5 |
| 10. | PRE-VISIT OF SITE..... | 5 |
| 11. | SPECIFIC INSTRUCTIONS TO BIDDERS/CONTRACTORS | 5 |
| 12. | SUBMISSION OF TENDER IN TWO COVER SYSTEM | 6 |
| 13. | EARNEST MONEY DEPOSIT | 6 |
| 14. | VALIDITY | 7 |
| 15. | OPENING AND EVALUATION OF THE TENDER | 7 |
| 16. | PRICE OFFER | 8 |
| 17. | EVALUATION OF THE PRICE | 8 |
| 18. | AWARD OF CONTRACT | 8 |
| 19. | SECURITY DEPOSIT | 9 |
| 20. | AGREEMENT..... | 9 |
| 21. | ISSUE OF WORK ORDER | 9 |
| 22. | DEFECT IDENTIFICATION & RECTIFICATION..... | 10 |
| 23. | EMPLOYMENT OF TECHNICAL ASSISTANTS..... | 10 |
| 24. | PAYMENT TERMS..... | 10 |
| 25. | PENALTY | 11 |
| 26. | TERMINATION OF CONTRACT..... | 11 |
| 27. | GENERAL CONDITIONS | 11 |
| 28. | ARBITRATION | 12 |
| 29. | JURISDICTION OF THE COURT..... | 12 |

ANNEXURES

| | | |
|-------|---|----|
| I. | BUILDING DRAWING & BOQ..... | 13 |
| II. | PART-I (COVERING LETTER)..... | 76 |
| III. | DETAILS OF THE TENDERER..... | 78 |
| IV. | ANNUAL TURNOVER STATEMENT..... | 79 |
| V. | LIST OF WORKS EXECUTED IN LAST 3 YEARS | 80 |
| VI. | DECLARATION OF NOT HAVING BLACKLISTED..... | 81 |
| VII. | DECLARATION FOR NOT HAVING TAMPERED THE TENDER DOCUMENT.... | 82 |
| VIII. | PART-II (COVERING LETTER)..... | 83 |
| IX. | PRICE BID..... | 84 |
| X. | CHECKLIST OF DOCUMENTS | 91 |

**TENDER FOR THE CONSTRUCTION OF INDUSTRIAL WORK SHED BUILDINGS
AND AMENITIES FOR RADHARANI COIR CLUSTER, PURI**

1. PREAMBLE

Ministry of MSME, Government of India has formulated “**Scheme of Fund for Regeneration of Traditional Industries (SFURTI)**”, for the development of Village industries and Coir clusters in order to organize the traditional industries and artisans for their growth and long term sustainability. The scheme stipulates **Coir Board** as the Nodal Agency for coir clusters.

The scheme specifies the following institutional arrangement at the operational level:

- a Special Purpose Vehicle (SPV) be formed to develop and manage the cluster
- an Implementing Agency (IA) is appointed to undertake scheme implementation
- a Technical Agency (TA) is designated to assist and guide the scheme implementation

Radharani Coir Cluster is approved under the scheme. **M/s.Radharani Coir Association**, having administrative office at Post Balapur, Via Satasankha, PS Sathyabadi, Puri District, Odisha - 752046, is the Special Purpose Vehicle (SPV) of the Cluster. **M/s.Jaya Durga Mahila Samity** is the Implementing agency of the cluster and **M/s.ITCOT Consultancy and Services Limited** is the designated Technical agency for the cluster.

The scheme envisages establishment of upgraded production infrastructure, as the Common Facility Center (CFC), for the manufacturing of coir products and stipulates the building construction and machinery procurement for the establishment of CFC should adhere the General Financial Rules (GFR) of Government of India. Accordingly, the tender procedures are being undertaken for the construction of CFC building works and procurement of machineries.

M/s.Radharani Coir Association, the Special Purpose Vehicle (SPV) of Radharani Coir Cluster, having the administrative office at Post Balapur, Via Satasankha, PS Sathyabadi, Puri District, Odisha - 752046 propose to establish a Common Facility Centre (CFC) in 7 locations (**CFC 1:** Plot no: 3041/5978, Village & Post Balapur, PS Satyabadi, District Puri, **CFC 2:** Plot no.250, Village Malasahi, Post Rua, PS Chandanpur, District Puri, **CFC 3:** Plot no.2815, Village Aisanyapada, Post Alagum, PS Satyabadi, District Puri, **CFC 4:** Plot no:1298 & 857, Village Mahamayasahi, Post Sakhigopal, PS Satyabadi, District Puri, **CFC 5:** Plot no: 1958, Village & Post Chandanpur, PS Chandanpur, District Puri, **CFC 6:** Plot no: 575, Village Brahmapur, PS Satyabadi, District Puri, **CFC 7:** Plot no: 743, Village Arihan, Post Rua,PS Chandanpur, District Puri) with the financial assistance from Government of India under SFURTI.

In this context, on behalf of SPV, **M/s.Jaya Durga Mahila Samity**, the Implementing Agency (IA) of Radharani Coir Cluster having administrative office at Post Balapur, Via Satasankha, PS Sathyabadi, Puri District, Odisha - 752046, invites sealed tenders from Civil contractors in “Two Cover System” for the construction of industrial work shed buildings and amenities for the Common Facility Center for Radharani Coir Cluster through transparent bidding process.

The tender comprises of 7 packages. The Tender for each package have to be submitted separately and **each package will be considered as separate tender.** The tenderer can bid one or more packages subject to fulfillment of eligibility criteria for the respective package. The successful bidder to be selected through this tender is expected to construct industrial work shed buildings and amenities as specified, for each package, in the tender. Drawings and Bill of Quantity (BoQ) are given in Annexure I. The Tender notification has been published fixing the date of opening of tender as 11.03.2020 at 03.00 PM.

2. SCOPE OF WORK

- a) The successful tenderer should undertake construction of industrial work shed buildings and amenities for the respective packages (**CFC 1:** Plot no: 3041/5978, Village & Post Balapur, PS Satyabadi, District Puri, **CFC 2:** Plot no.250, Village Malasahi, Post Rua, PS Chandanpur, District Puri, **CFC 3:** Plot no.2815, Village Aisanyapada, Post Alagum, PS Satyabadi, District Puri, **CFC 4:** Plot no:1298 & 857, Village Mahamayasahi, Post Sakhigopal, PS Satyabadi, District Puri, **CFC 5:** Plot no: 1958, Village & Post Chandanpur, PS Chandanpur, District Puri., **CFC 6:** Plot no: 575, Village Brahmapur, PS Satyabadi, District Puri, **CFC 7:** Plot no: 743, Village Arihan, Post Rua,PS Chandanpur, District Puri) as per the drawings and Estimate/Bill of Quantity (BoQ) given in Annexure-I.
- b) The successful tenderer should complete the construction of industrial work shed buildings and amenities within 90 days from the date of receipt of Work Order. The time line for the cumulative percentage of work to be completed based on the value of work shall be as given below:

| Days | Percentage of work to be completed |
|-------------------------|------------------------------------|
| 1 st 30 days | Min. 20% of total contract value |
| 2 nd 30 days | Min. 60% of total contract value |
| 3 rd 30 days | 100% of total contract value |

3. QUALIFICATION CRITERIA

| Clause | Qualification Criteria | Supporting Document |
|--------|---|---|
| 3(a) | The tenderer should be a registered legal entity. | (i) In case of Private / Public Limited Companies, <ul style="list-style-type: none"> • Copy of Incorporation Certificate issued by the Registrar of Companies • Copy of Memorandum and Articles of Association (ii) In case of Partnership Firm, <ul style="list-style-type: none"> • Registered Partnership deed (iii) In case of Proprietorship Concern, <ul style="list-style-type: none"> • Copy of Udyog Aadhaar/ GST |

| | | Registration Certificate / PAN Card. | | | | | | | | | | | | | | | | |
|-------------|--|--|----------|-----------|----------------|------------|----------------|-------------|----------------|------------|----------------|-----------|----------------|------------|----------------|-------------|----------------|---|
| 3(b) | The tenderer should be an eligible Civil contractor | (i) Valid Registration Certificate from PWD as Group A/Group B Contractor or from Highways department (ii) Valid registration of GST | | | | | | | | | | | | | | | | |
| 3(c) | The tenderer should have at least 3 years of experience (as on 31 st January 2020) as Civil contractor. | (i) Work orders issued by clients (ii) Performance certificate issued by clients (iii) List of construction works executed in last 3 years as per Annexure-V | | | | | | | | | | | | | | | | |
| 3(d) | The tenderer should have been awarded and successfully completed at least three works of similar nature with Government Organizations / Public Sector Undertakings in the last 3 years (as on 31 st January 2020). | (i) Work orders issued by clients (ii) Performance certificate issued by clients | | | | | | | | | | | | | | | | |
| 3(e) | The minimum Average Annual Turnover of the tenderer in the last three financial years i.e. 2016-17, 2017-18 and 2018-19 shall be as given below: <table border="1" data-bbox="363 1077 794 1384"> <thead> <tr> <th>Package</th> <th>Turnover</th> </tr> </thead> <tbody> <tr> <td>Package I</td> <td>Rs.50.00 lakhs</td> </tr> <tr> <td>Package II</td> <td>Rs.50.00 lakhs</td> </tr> <tr> <td>Package III</td> <td>Rs.15.00 lakhs</td> </tr> <tr> <td>Package IV</td> <td>Rs.15.00 lakhs</td> </tr> <tr> <td>Package V</td> <td>Rs.15.00 lakhs</td> </tr> <tr> <td>Package VI</td> <td>Rs.15.00 lakhs</td> </tr> <tr> <td>Package VII</td> <td>Rs.15.00 lakhs</td> </tr> </tbody> </table> <p>Note: The turnover stipulated is package specific, irrespective of the number of packages tendered.</p> | Package | Turnover | Package I | Rs.50.00 lakhs | Package II | Rs.50.00 lakhs | Package III | Rs.15.00 lakhs | Package IV | Rs.15.00 lakhs | Package V | Rs.15.00 lakhs | Package VI | Rs.15.00 lakhs | Package VII | Rs.15.00 lakhs | (i) The average annual turnover statement duly certified by Chartered Accountant as per Annexure IV (ii) The Annual Report/ certified copies of Balance Sheet, Profit & Loss statement along with schedules for the last 3 consecutive financial years |
| Package | Turnover | | | | | | | | | | | | | | | | | |
| Package I | Rs.50.00 lakhs | | | | | | | | | | | | | | | | | |
| Package II | Rs.50.00 lakhs | | | | | | | | | | | | | | | | | |
| Package III | Rs.15.00 lakhs | | | | | | | | | | | | | | | | | |
| Package IV | Rs.15.00 lakhs | | | | | | | | | | | | | | | | | |
| Package V | Rs.15.00 lakhs | | | | | | | | | | | | | | | | | |
| Package VI | Rs.15.00 lakhs | | | | | | | | | | | | | | | | | |
| Package VII | Rs.15.00 lakhs | | | | | | | | | | | | | | | | | |
| 3(f) | The tenderer should not have been blacklisted for supply of any items or services by any Government departments/agency | The declaration form as per Annexure VI should be enclosed. | | | | | | | | | | | | | | | | |

4. LANGUAGE OF THE TENDER

The Tender prepared by the tenderer as well as all correspondences and documents relating to the Tender shall be in English language only. If the supporting documents are in a language other than English/Odia, the notarized translated English version of the documents should also be enclosed.

| | |
|-----------|---|
| 5. | PURCHASE OF TENDER DOCUMENTS |
| | <p>a) The tender document shall be downloaded from www.coirboard.gov.in or www.itcot.com at free of cost. The tenderer should give a declaration for not having tampered the Tender document downloaded from Internet (as per Annexure VII).</p> <p>b) The tender document can be downloaded from 19.02.2020 to 10.03.2020.</p> |
| 6. | PREBID MEETING |
| | <p>There will be a pre-bid meeting on 02.03.2020 at 11.00 am in the office of M/s.Jaya Durga Mahila Samity, Post Balapur, Via Satasankha, PS Sathyabadi, Puri District, Odisha - 752046 during which the prospective tenderers can get clarifications about the tender. The tenderers shall send their queries in writing if any so as to reach IA at least two days prior to the pre-bid meeting date. The tenderers are advised to check www.coirboard.gov.in or www.itcot.com for up-to-date information like change in date / venue etc., of pre-bid meeting as IA may not be able to identify and communicate with the prospective bidders at this stage. Non attending of pre-bid meeting is not a disqualification.</p> |
| 7. | CLARIFICATION ON THE TENDER DOCUMENT |
| | <p>The tenderers may ask for queries in any of the clauses in the tender document before 48 hours of the opening of the tender. Such queries may be sent in writing to “M/s.Jaya Durga Mahila Samity, Post Balapur, Via Satasankha, PS Sathyabadi, Puri District, Odisha - 752046” or by e-mail to jayadurga.org@gmail.com. IA will upload the clarification on www.coirboard.gov.in or www.itcot.com. It is binding on the part of tenderers to check the above said websites for any amendments or clarifications posted during the entire tender process.</p> |
| 8. | AMENDMENT OF TENDER DOCUMENT |
| | <p>IA whether on its own initiative or as a result of a query, suggestion or comment of an Applicant or a Respondent, may modify the tender document by issuing an addendum or a corrigendum at any time before the opening of the tender, with the concurrence of the tender committee. Any such addendum or corrigendum will be uploaded on www.coirboard.gov.in or www.itcot.com and the same will be binding on all Applicants or Respondents or Tenderers, as the case may be.</p> |

| | |
|---|--|
| 9. | AUTHORISATION OF THE TENDERER |
| <p>The Tender should be signed on each page by the tenderer or by the person who is duly authorized for the same by the tenderer.</p> | |
| 10. | PRE-VISIT OF SITE |
| <p>The tenderer, on his/her own responsibility, risk and cost, is advised to visit and examine the site of works (CFC 1: Plot no: 3041/5978, Village & Post Balapur, PS Satyabadi, District Puri, CFC 2: Plot no.250, Village Malasahi, Post Rua, PS Chandanpur, District Puri, CFC 3: Plot no.2815, Village Aisanyapada, Post Alagum, PS Satyabadi, District Puri, CFC 4: Plot no:1298 & 857, Village Mahamayasahi, Post Sakhigopal, PS Satyabadi, District Puri, CFC 5: Plot no: 1958, Village & Post Chandanpur, PS Chandanpur, District Puri,, CFC 6: Plot no: 575, Village Brahmapur, PS Satyabadi, District Puri, CFC 7: Plot no: 743, Village Arihan, Post Rua,PS Chandanpur, District Puri) and its surroundings and obtain all information that may be necessary for preparing the bid and entering into a contract for the work(s) as mentioned in the Annexure (I).</p> | |
| 11. | SPECIFIC INSTRUCTIONS TO BIDDERS / CONTRACTORS FOR QUOTING OF RATES |
| <p>(a) The contractors are requested to read the detailed specification and quote the rates clearly in the Price bid. Quoting the rates in the Price bid will only be taken up for comparison and shall be final.</p> <p>(b) The tenders invited are based on item wise rates mentioned in the estimate of works/BoQ. Any lumpsum deductions or increase or rebate offered either in the tender or in the covering letter or at any portion of the tender will be ignored and only the rates offered in the Price bid alone will be taken as valid rates and taken up for tender comparison. Rates or Lumpsum amounts for items not called for shall not be included in the tender. Any alteration made by tenderer in the contract form, the conditions to Contract, the drawings, specification, or quantities accompanying the same will not be recognised and if any such alterations are made the tender will be void.</p> <p>(c) The tenderer / contractor will make his/her/their own arrangements to procure and use ISI Brand Cement and ISI Brand steel required for the work.</p> <p>(d) It should be clearly understood that the rate quoted by the tenderer / contractor is inclusive of incidental charges such as conveyance, loading, unloading, stacking at site and testing charges etc., complete.</p> <p>(e) The tenderer / contractor will produce test certificate obtained from any one of the Govt. institutions for cement and steel brought to site. And only when the test results confirm to the ISI specification they will be allowed to be used in the works.</p> <p>(f) The tenderer / Contractor should strictly follow above instructions without fail.</p> | |

| | |
|---|---|
| 12. | SUBMISSION OF TENDER IN TWO COVER SYSTEM |
| <p>(a) The tender comprises of 7 packages. The tenderer can bid one or more packages. Tender for each package have to be submitted separately and each package will be considered as separate tender. Bidders who apply multiple packages shall comply with the conditions and clauses pertaining to the respective packages and shall submit the bid for each package separately. The drawings and Bill of quantities (BOQ) of each package is given in Annexure I.</p> <p>(b) Every page of the terms and conditions of the tender document should be signed and enclosed with the tender, in token of having accepted the tender conditions. Failing which the tender will be rejected summarily.</p> <p>(c) Tenders should be submitted in two parts for each package separately:</p> <ol style="list-style-type: none"> i. Part I will cover technical bid and ii. Part II will cover price bid <p>(d) Tenderers should ensure submission of all documents pertaining to Part-I and Part II proposals separately as per the Check list given in Annexure -X.</p> <p>(e) Tenderers are requested to place Part I and Part II documents in separate sealed covers. Part I cover to be superscripted as “Part I – Technical bid (Package No: ___)” and Part II cover to be superscripted as “Part II – Price bid (Package No: ___)” respectively, mentioning the name and address of the Tenderer in each of the both covers. These two sealed covers (Part I and Part II) must be placed in a single outer cover superscripted as “Tender for the construction of work shed buildings and amenities for Radharani Coir Cluster, Puri (Package No: ___)” and addressed to “M/s.Jaya Durga Mahila Samity, Post Balapur, Via Satasankha, PS Sathyabadi, Puri District, Odisha - 752046” mentioning the name and address of the Tenderer in the outer cover. Tenders shall be submitted in sealed cover and unsealed tenders would summarily be rejected.</p> <p>(f) Tenders should be dropped only in the tender box kept at the office of “M/s.Jaya Durga Mahila Samity, Post Balapur, Via Satasankha, PS Sathyabadi, Puri District, Odisha - 752046” on or before 02.00 PM on 11.03.2020. Tenders will not be received by hand.</p> <p>(g) Alternatively, the tenders can be submitted through registered post so as to reach the above address on or before 02.00 PM on 11.03.2020. Tenders received after the specified time will not be considered and IA will not be liable or responsible for any postal delays.</p> <p>(h) A tender once submitted shall not be permitted to be altered or amended.</p> | |
| 13. | EARNEST MONEY DEPOSIT |
| <p>(a) The Tender should be accompanied by an Earnest Money Deposit (EMD) in the form of Account Payee Demand Draft drawn on any Indian Nationalized/Scheduled</p> | |

Commercial Bank in favour of “Jayadurga Mahila Samiti”, payable at Puri. EMD for each package is given below:

| S.No | Package | EMD (in Rs.) |
|------|-------------|--------------|
| 1. | Package I | 40,000/- |
| 2. | Package II | 40,000/- |
| 3. | Package III | 10,000/- |
| 4. | Package IV | 10,000/- |
| 5. | Package V | 10,000/- |
| 6. | Package VI | 10,000/- |
| 7. | Package VII | 10,000/- |

- (b) The EMD in any other form will not be accepted. The Earnest Money Deposit will be returned to the unsuccessful tenderers at the earliest on the expiry of final bid validity and latest on or before the 30th day of the award of contract.
- (c) The Earnest Money Deposit will be retained in the case of successful tenderer and it will not earn any interest and will be dealt with, as provided in the terms and conditions of the tender.
- (d) Any request of the tenderer, under any circumstances claiming exemption from payment of EMD will be rejected and their Part II price offer will not be opened.
- (e) If the tenderer emerges as the successful bidder and after subsequent issuance of letter of acceptance by the IA, failure to sign the agreement, to remit the Security Deposit or to execute the contract as per tender conditions, will result in the forfeiture of the EMD amount remitted.

14. VALIDITY

- (a) The rate quoted in the Tender should be valid for the acceptance by the IA for a minimum period of 90 days from the date of opening of the Tender.
- (b) The accepted rate of the successful tenderer is valid till the entire contract is fully completed. Escalation in the rates will not be entertained under any circumstances.

15. OPENING AND EVALUATION OF THE TENDER

- (a) The tender box will be closed at 02.00 PM as per the office clock on 11.03.2020 and the received tenders in the tender box will only be opened. Tenders received after specified date and time will not be accepted. The Tender will be opened by the Tender committee at 03.00 PM on the same day in the presence of the available Tenderers/ representatives of the Tenderers who choose to be present. The Tenderers or their authorized agents are allowed to be present at the time of opening of the tenders.
- (b) Tender Committee will inform the attested and unattested corrections, before the Tenderers and sign all such corrections in the presence of the Tenderers. If any of the

Tenderers or agents not present then, in such cases the Committee will open the tender of the absentee Tenderer and take out the unattested corrections and communicate it to them. The absentee Tenderer should accept the corrections without any question whatsoever.

- (c) If the date fixed for opening of the tender happens to be a Government holiday, the sealed tenders will be received up to 02.00 PM on the next working day and opened at 03.00 PM on the same day.
- (d) The Technical bid will be evaluated by the tender committee in terms of the qualification Criteria. The committee reserves the right to disqualify any of the tender in case the Committee is not satisfied with the documents furnished.
- (e) After the completion of evaluation of technical bids, the tenderers declared as qualified by the Committee, will be informed the date of opening of Price bid (Part II).

16. PRICE OFFER

- (a) The Price bid should be kept only in the Part II cover.
- (b) The price bid should be prepared as per Annexure-IX.
- (c) The price should be neatly and legibly written both in figures and words.
- (d) In case of discrepancy between the prices quoted in words and figures lower of the two shall be considered.
- (e) If a bidder quotes NIL charges/consideration, the bid shall be treated as unresponsive and will not be considered.
- (f) Part-II bid should not contain any commercial conditions. Variation in the commercial terms and conditions of the tender will not be accepted.

17. EVALUATION OF THE PRICE

- (a) The Tender committee will examine for complete, properly signed and error-free nature of the Price bid (Part II)
- (b) The comparison of the rates offered shall be based on the total all inclusive rates offered (i.e. sum of all inclusive rate offered for all the tendered items).

18. AWARD OF CONTRACT

- (a) The Tenderer who has quoted lowest price (L1) will be issued the 'Letter of Acceptance' by the Implementing Agency.

(b) In unavoidable circumstances, such as receipt of very limited bids or the proposal prices are substantially higher than the market value / updated cost estimate or available budget, the committee may decide upon resorting to Negotiation with the lowest evaluated responsive bidder. In such cases, the Tenderer who has quoted lowest price (L1) will be invited for negotiations and after finalizing the negotiated rate, Letter of Acceptance will be issued.

19. SECURITY DEPOSIT

- (a) On receipt of the Letter of Acceptance from IA, the successful tenderer should remit a Security Deposit (SD) of **5%** of the value of the contract in the form of NEFT/RTGS or Account payee Demand Draft from any Indian Nationalized/Scheduled Commercial Bank or irrevocable Bank Guarantee with a validity period of one year in favour of “Jayadurga Mahila Samiti”, payable at Puri, within 10 (Ten) working days from the date of receipt of letter of acceptance. The EMD shall be adjusted with the Security Deposit.
- (b) Any other amount pending with IA will not be adjusted under any circumstances, against the Security Deposit if so requested.
- (c) If the Security Deposit amount is not paid within the time specified, the EMD remitted by the tenderer shall be forfeited, besides cancelling the communication of acceptance of the Tender.
- (d) Security Deposit amount remitted will not earn any interest.

20. AGREEMENT

The successful tenderer should execute an agreement as may be drawn up to suit the conditions on a non-judicial stamp paper of value, as prescribed in law on the date of remittance of Security Deposit and shall pay for all stamps and legal expenses incidental thereto. In the event of failure to execute the agreement, within the time prescribed, the EMD/SD amount remitted by the tenderer will be forfeited besides cancelling the Tender.

21. ISSUE OF WORK ORDER

After payment of Security Deposit and successful execution of the agreement, Work Order will be released within 10 days by the IA. The successful tenderer should complete the construction of industrial work shed buildings and amenities within 90 days from the date of receipt of Work Order.

| | |
|--|--|
| 22. | DEFECT IDENTIFICATION AND IT'S RECTIFICATIONS |
| <p>(a) Defect Liability period shall be 6 months from the date of the completion of work. Any defect arising in the work in guarantee period due to faulty workmanship and faulty materials should be rectified by contractor at his own cost.</p> <p>(b) Any deficiency in concreting such as cracking, excessive honeycombing, exposure of reinforcement or other fault which entail replacement of the defective part by fresh concrete and whatsoever remedy reasonable required without hampering the structural safety and architectural concept, all at the cost of contractor.</p> <p>(c) The successful tenderer should submit bank guarantee equivalent to 10% of the total value of contract valid for 6 months towards Defect Liability.</p> | |
| 23. | EMPLOYMENT OF TECHNICAL ASSISTANTS |
| <p>(d) The tenderer shall employ qualified technical persons at his cost to supervise the work and the tenderer should ensure the presence of the technical persons at the site of work during working hours, monitoring all items of works and paying extra attention to such works as may demand special attention.</p> <p>(e) A movement register should be opened and maintained for Technical persons employed by the Contractor. The Technical persons should note the arrival and the departure timings every day along with their initials in a register. Such Register should be produced during inspection of the Inspecting Officers (Tender committee members).</p> | |
| 24. | PAYMENT TERMS |
| <p>(a) 20% of the contract value will be paid on completion of Foundation level works and submission of Stage level completion certificate by a Chartered Engineer, based on the inspection report by Tender Committee.</p> <p>(b) 40% of the contract value will be paid on completion of roof level works and submission of Stage level completion certificate by a Chartered Engineer, based on the inspection report by Tender Committee.</p> <p>(c) The balance 40% and SD will be released only after satisfactory completion of the entire contract based on the inspection report by Tender Committee and submission of Chartered Engineer's work completion & valuation certificate and bank guarantee equivalent to 10% of the total value of contract valid for 6 months towards Defect Liability.</p> <p>(d) IA also reserves the right to recover any dues from the tenderer, which is found on later date, during audit/excess payment, after final settlement is made to them. The</p> | |

successful tenderer is liable to pay such dues to the IA immediately on demand, without raising any dispute/protest.

25. PENALTY

- (a) Failure to execute the entire contract within 90 days from the date of issue of work order will attract a penalty of 1% per week, on the full value of the contract upto a maximum of 5%. Delays beyond that period will be viewed as violation of the contract terms and will be dealt accordingly.
- (b) Implementing agency reserves the right to inspect the site at any point of time during the contract period to ensure the progress and quality of work carried out. During the inspection, if any discrepancies found in the quality of work / material used, the IA, with the approval of the tender committee, reserves the right to order for any rework(s) / replace any item(s) of material, as the case may be, in order to ensure the quality of work / progress as per the contract terms.
- (c) All the materials used for construction shall be first use, new, high quality material. Old or Used materials will not be accepted and if found, the decision of Committee, either for rework / replace / deduction in payment shall be binding on the contractor.
- (d) Any delay on the part of IA should be intimated and sorted out immediately without affecting the progress of works.

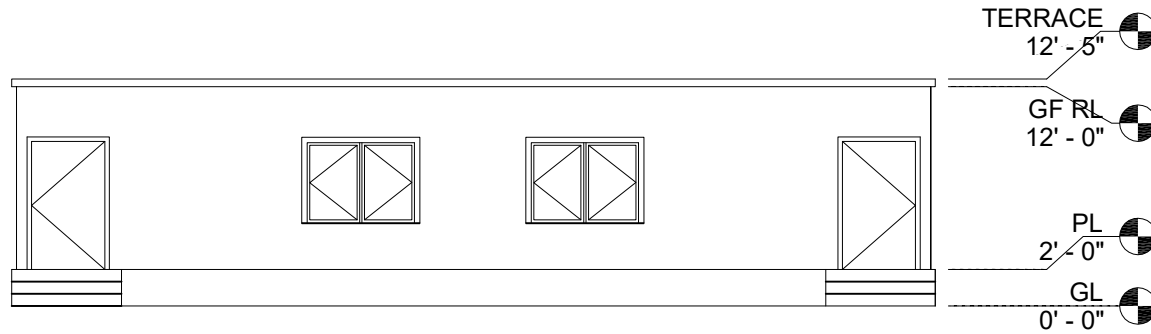
26. TERMINATION OF CONTRACT

IA reserves the right to terminate the contract at any time during the validity period on account of non-fulfillment of contract or for any of the reasons.

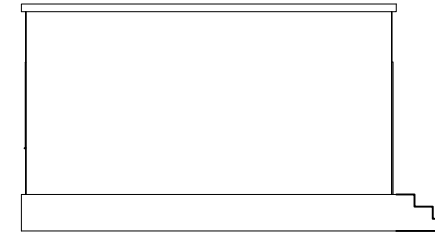
27. GENERAL CONDITIONS

- (a) Conditional tender in any form will not be accepted.
- (b) Any notice regarding any matters, to the contractor shall deemed to be sufficiently served, if given in writing to his usual or last known place of business.
- (c) Tender committee reserves the right to relax or waive or amend any of the tender conditions.
- (d) The successful tenderer shall not outsource/off load either full or part of the work to any other agency / individual.
- (e) If the performance of the tenderer is not as per the schedule, then tender committee reserves the right to cancel / reallocate full or part of the contract, at any stage of the contract execution.

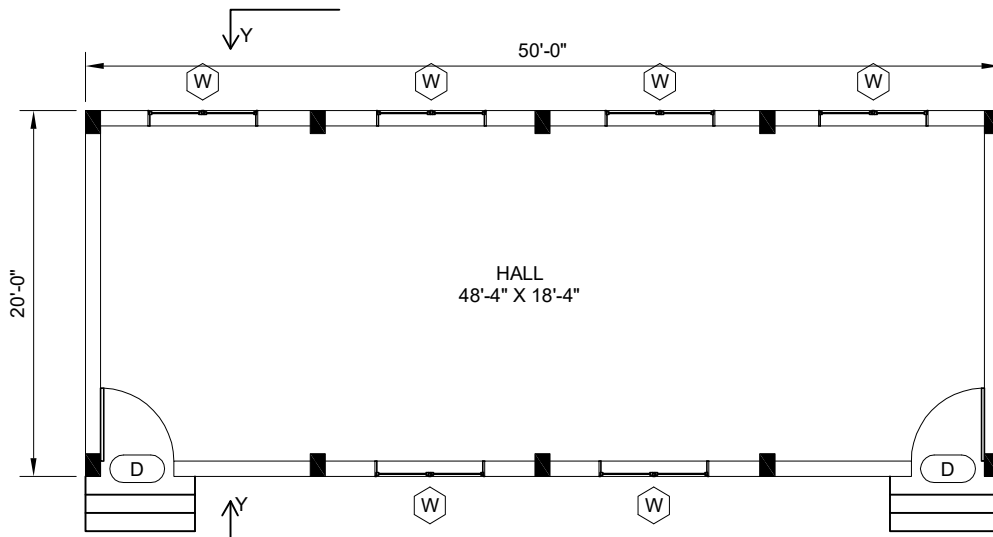
| | |
|---|----------------------------------|
| 28. | ARBITRATION |
| <p>(a) In case of any dispute in the tender, including interpretation, if any, on the clauses of the tender or the agreement to be executed, the matter shall be referred by IA / Tenderer to an Arbitrator to be appointed by the Parties hereto by mutual agreement. If no such Arbitrator could be appointed by mutual consent, the matter may then be referred to the Chairman, Coir Board for nominating an Arbitrator, the Arbitration proceedings being governed by the Arbitration and Conciliation (Amendment) Act 2015.</p> <p>(b) The venue of the Arbitration shall be at the Regional Office Coir Board, Udyogpuri, Jagamara, Khandagiri, Bhubaneswar, Odisha - 751030. The decision of the Arbitrator shall be final and binding on both the parties to the Arbitration.</p> <p>(c) The Arbitrator may with the mutual consent of the parties, extend the time for making the award. The award to be passed by the Arbitrator is enforceable in the court at Puri only.</p> | |
| 29. | JURISDICTION OF THE COURT |
| <p>Any dispute arising out of non-fulfillment of any of the terms and conditions of this Agreement or any other dispute arising out of the arbitration award will be subject to the jurisdiction of the Courts in the City of Puri only.</p> | |
| <p>We agree to the above terms and conditions.</p> <p>SIGNATURE OF THE TENDERER:</p> <p>DATE:</p> <p>NAME IN BLOCK LETTERS:</p> <p>DESIGNATION:</p> <p>ADDRESS:</p> | |



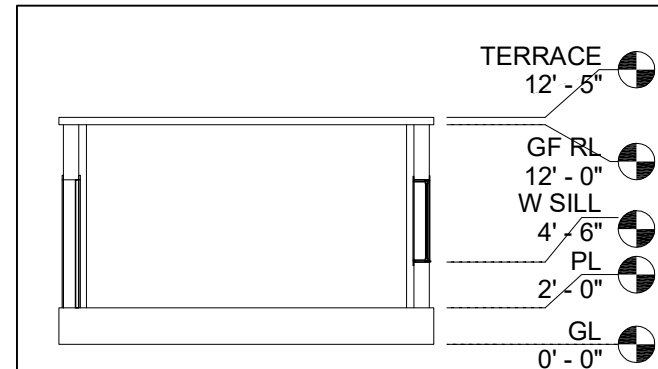
FRONT ELEVATION



LEFT SIDE ELEVATION



PLAN



SECTION AT Y-Y

- NOTE :-
1. THE DRAWING SHALL BE READ AND THE DIMENSIONS MUST BE FOLLOWED.
 2. THIS DRAWING IS READ IN CONJUNCTION WITH RELEVANT ARCHITECTURAL ,STRUCTURAL AND ALL SERVICES DRAWINGS.
 3. ANY DISCREPANCY IF SO SHALL BE IMMEDIATELY BROUGHT TO THE NOTICE OF THE CONSULTANTS BEFORE START OF CONSTRUCTION WORK.
 4. ALL P.C.C WORK SHOULD BE M-15 GARDE CONCRETE.
 5. ALL R.C.C WORK SHOULD BE M-20 GARDE CONCRETE.
 6. GRADE OF STEEL F4-415(H.Y.S.D) BARS LAP LENGTH AND ANCHORAGE LENGTH (Ld) TO BE PROVIDED 50D.
 7. CLEAR COVER TO REINFORCEMENT SHOULD BE :
FOUNDATION - 50MM
COLUMN - 40MM
BEAM - 25MM
SLAB - 15MM

SCHEDULE OF DOORS & WINDOWS

| S.L. NO | TYPE | B | H | SILL LEV. |
|---------|------|-------|-------|-----------|
| 1 | D | 4'-0" | 7'-0" | - |
| 2 | D | 3'-6" | 7'-0" | - |
| 3 | WS | 3'-0" | 7'-0" | - |
| 4 | WS | 2'-6" | 7'-0" | 2'-6" |
| 5 | V | 5'-0" | 4'-6" | 2'-6" |
| 6 | VP | 4'-0" | 4'-6" | 5'-0" |
| 4 | V | 2'-0" | 2'-0" | 5'-0" |

AGENCY NAME :-
Proposed Building of CFC-1 at Balapur(Coir Yarn making, matmaking, Handicrafts) of Satyabadi Block, Dist-Puri.

SHEET TITLE :-
PLAN & ELEVATION

| | |
|------------|--|
| PROJECT NO | |
| 01 | |

Project Management Consultant
D:\user\skh\Download\WSEE copy.dwg & Consulting Engineer.

CONSULTANT
MADHUSMITA DESIGN & ENGINEERS STUDIO
2936, NEAR NAGESWAR TEMPLE, NAGESWAR TANGI, RAVI TALKIES, BHUBANESWAR-751002
PH-0674-2434347(O), 9861092612(M),
email - mdestudio12@gmail.com , prmsahu11@gmail.com
PAN-ABBFM0485D, GSTIN-21ABBFM0485D1ZU

STRUCTURAL ENGINEER
Er. PREM PRAKASH SAHU C. Eng., M.ASCE
M. Tech.(Structural Engg)
PGDM(Infra. Mang.), PG Dip. Urban Plan. & Dev.
Member Indian Building Congress M No.- (OM-8001)

DESIGNED BY
Er. PREM PRAKASH SAHU

DRAWN BY
Er. ASIT KUMAR SETHI

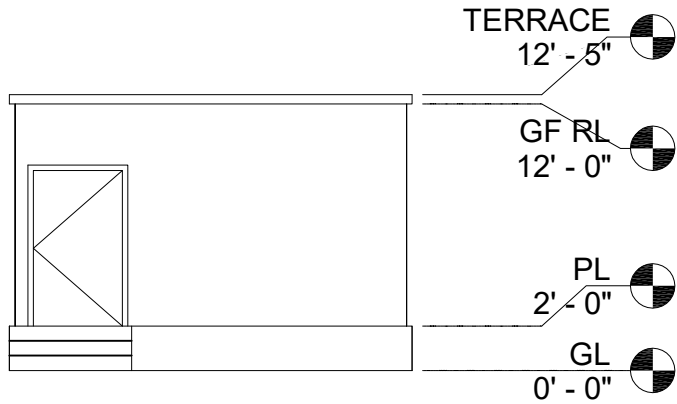
TECHNICAL DATA :-
AREA :-
GROUND FLOOR AREA - 1000 Sqft.

TOTAL AREA - 1000 Sqft.

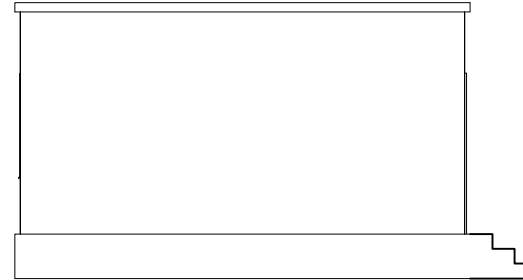
PROJECT TITLE :-
Proposed Building of CFC-1 at Balapur(Coir Yarn making, mat making, Handicrafts) of Satyabadi Block, Dist-Puri.

| | | |
|-----------|-----------|-----------|
| SIGNATURE | SIGNATURE | SIGNATURE |
|-----------|-----------|-----------|

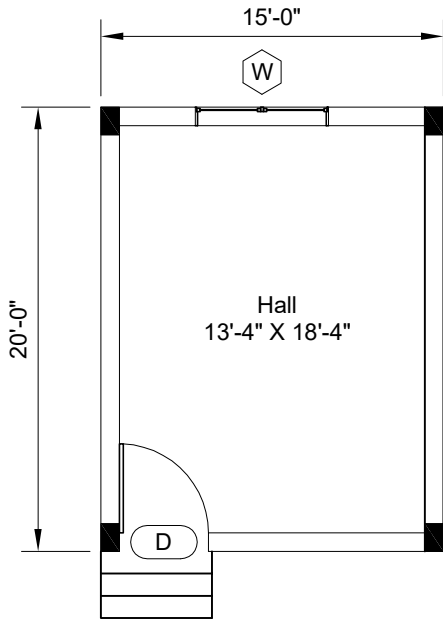
| | | |
|------|--------------|-----------|
| DATE | SCALE | SHEET NO. |
| | 1/8" = 1'-0" | 1 |



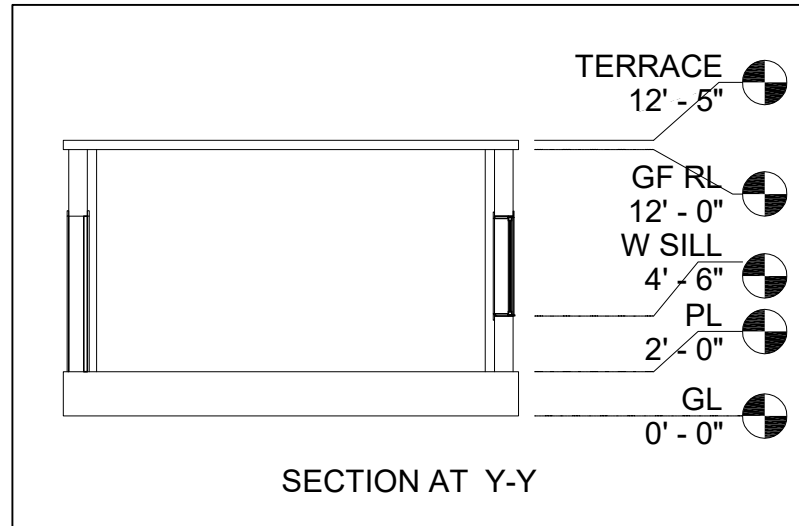
FRONT ELEVATION



LEFT SIDE ELEVATION



PLAN



SECTION AT Y-Y

- NOTE :-**
1. THE DRAWING SHALL BE READ AND THE DIMENSIONS MUST BE FOLLOWED.
 2. THIS DRAWING IS READ IN CONJUNCTION WITH RELEVANT ARCHITECTURAL, STRUCTURAL AND ALL SERVICES DRAWINGS.
 3. ANY DISCREPANCY, IF SO SHALL BE IMMEDIATELY BROUGHT TO THE NOTICE OF THE CONSULTANTS BEFORE START OF CONSTRUCTION WORK.
 4. ALL P.C.C WORK SHOULD BE M-15 GARDE CONCRETE.
 5. ALL R.C.C WORK SHOULD BE M-20 GARDE CONCRETE.
 6. GRADE OF STEEL Fe-415(H.Y.S.D BARS) LAP LENGTH AND ANCHORAGE LENGTH (Ld) TO BE PROVIDED 50D.
 7. CLEAR COVER TO REINFORCEMENT SHOULD BE :
 FOUNDATION - 50MM
 COLUMN - 40MM
 BEAM - 25MM
 SLAB - 15MM

SCHEDULE OF DOORS & WINDOWS

| S.L. NO | TYPE | B | H | SILL LEV. |
|---------|------|-------|-------|-----------|
| 1 | D | 4'-0" | 7'-0" | - |
| 2 | D1 | 3'-6" | 7'-0" | - |
| 3 | D2 | 3'-0" | 7'-0" | - |
| 4 | D3 | 2'-6" | 7'-0" | 2'-6" |
| 5 | W | 5'-0" | 4'-6" | 2'-6" |
| 6 | W2 | 4'-0" | 4'-6" | 5'-0" |
| 4 | V | 2'-0" | 2'-0" | 5'-0" |

AGENCY NAME :-

Proposed Building of CFC-1 at Balapur (Design Development Centre) of Satyabadi Block, Dist-Puri.

SHEET TITLE :-

PLAN & ELEVATION

PROJECT NO

01

Project Management Consultant

D:\Users\ankit\Downloads\NADES copy.jpg

& Consulting Engineer.

CONSULTANT

MADHUSMITA DESIGN & ENGINEERS STUDIO
 # 2936, NEAR NAGESWAR TEMPLE, NAGESWAR TANGI, RAVI TALKIES, BHUBANESWAR-751002
 PH-0674-2434347(O), 9861092612(M),
 email - mdestudio12@gmail.com , prmsahu11@gmail.com
 PAN-ABBFM0485D, GSTIN-21ABBFM0485D1ZU

STRUCTURAL ENGINEER

Er. PREM PRAKASH SAHU c. Eng., M.ASCE
 M. Tech.(Structural Engg.)
 PGDM(Infra. Mang.), PG Dip. Urban Plan. & Dev.
 Member Indian Building Congress M No.- (OM-8001)

DESIGNED BY

Er. PREM PRAKASH SAHU

DRAWN BY

Er. ASIT KUMAR SETHI

TECHNICAL DATA :-

AREA :

GROUND FLOOR AREA - 300 Sqft.

TOTAL AREA - 300 Sqft.

PROJECT TITLE :-

Proposed Building of CFC-1 at Balapur (Design Development Centre) of Satyabadi Block, Dist-Puri.

SIGNATURE

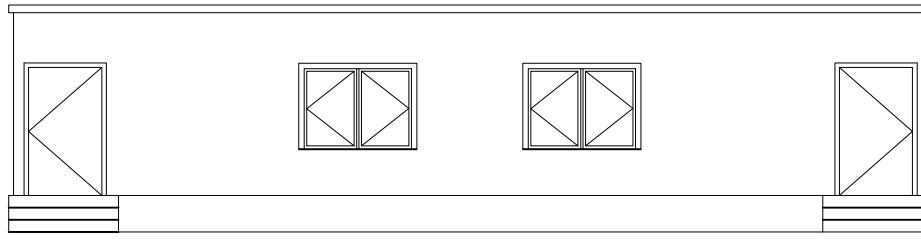
DATE

SCALE

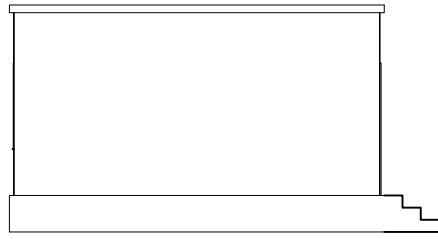
SHEET NO.

1/8" = 1'-0"

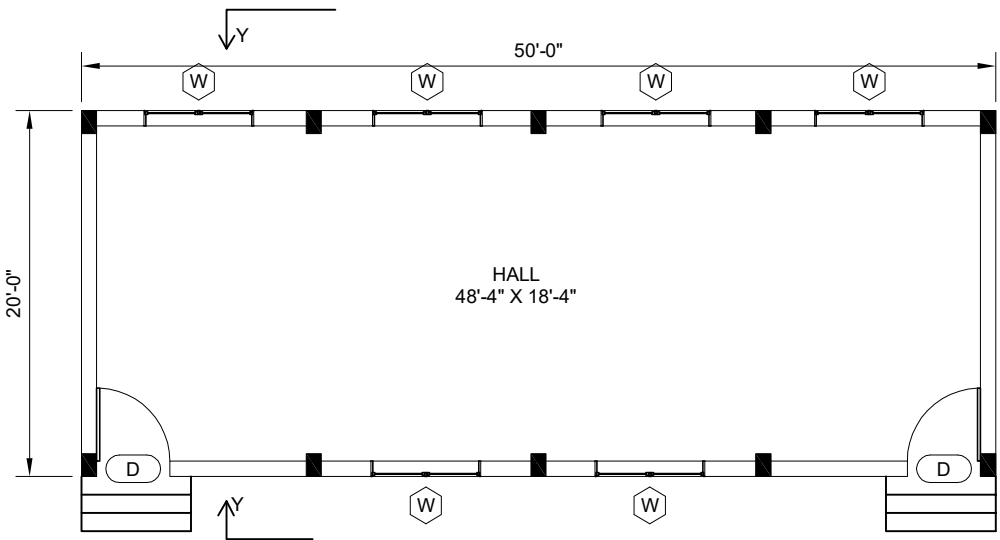
1



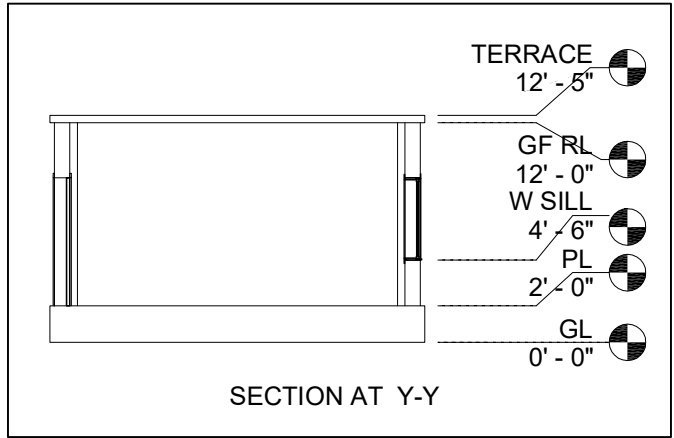
FRONT ELEVATION



LEFT SIDE ELEVATION



PLAN



SECTION AT Y-Y

- NOTE :-**
1. THE DRAWING SHALL BE READ AND THE DIMENSIONS MUST BE FOLLOWED.
 2. THIS DRAWING IS READ IN CONJUNCTION WITH RELEVANT ARCHITECTURAL ,STRUCTURAL AND ALL SERVICES DRAWINGS.
 3. ANY DISCREPANCY IF SO SHALL BE IMMEDIATELY BROUGHT TO THE NOTICE OF THE CONSULTANTS BEFORE START OF CONSTRUCTION WORK.
 4. ALL P.C.C WORK SHOULD BE M-15 GARDE CONCRETE.
 5. ALL R.C.C WORK SHOULD BE M-20 GARDE CONCRETE.
 6. GRADE OF STEEL Fe-415(LY.S.D BARS) LAP LENGTH AND ANCHORAGELENGTH (Ld) TO BE PROVIDED 50D.
 7. CLEAR COVER TO REINFORCEMENT SHOULD BE :
FOUNDATION - 50MM
COLUMN - 40MM
BEAM - 25MM
SLAB - 15MM

SCHEDULE OF DOORS & WINDOWS

| S.L. NO | TYPE | B | H | SILL LEV. |
|---------|------|-------|-------|-----------|
| 1 | D | 4'-0" | 7'-0" | - |
| 2 | W | 3'-6" | 7'-0" | - |
| 3 | W | 3'-0" | 7'-0" | - |
| 4 | W | 2'-6" | 7'-0" | 2'-6" |
| 5 | W | 5'-0" | 4'-6" | 2'-6" |
| 6 | W | 4'-0" | 4'-6" | 5'-0" |
| 4 | W | 2'-0" | 2'-0" | 5'-0" |

AGENCY NAME :-
Proposed Building of CFC-1 at Balapur(Storage godown) of Satyabadi Block, Dist-Puri.

SHEET TITLE :-
PLAN & ELEVATION

| PROJECT NO | | |
|------------|--|--|
| 01 | | |

Project Management Consultant
D:\user\skh\Download\WSEE copy.dwg & Consulting Engineer.

CONSULTANT
MADHUSMITA DESIGN & ENGINEERS STUDIO
2936, NEAR NAGESWAR TEMPLE,NAGESWAR TANGI, RAVI TALKIES, BHUBANESWAR-751002
PH-0674-2434347(O), 9861092612(M),
email - mdestudio12@gmail.com , prmsahu11@gmail.com
PAN-ABBFM0485D, GSTIN-21ABBFM0485D1ZU

STRUCTURAL ENGINEER
Er. PREM PRAKASH SAHU c. Eng., M.ASCE
M. Tech.(Structural Engg)
PGDM(Infra. Mang.), PG Dip. Urban Plan. & Dev.
Member Indian Building Congress M.No.- (OM-8001)

DESIGNED BY
Er. PREM PRAKASH SAHU

DRAWN BY
Er. ASIT KUMAR SETHI

TECHNICAL DATA :-

AREA :-

| | |
|-------------------|--------------|
| GROUND FLOOR AREA | - 1000 Sqft. |
| TOTAL AREA | - 1000 Sqft. |

PROJECT TITLE :-
Proposed Building of CFC-1 at Balapur(Storage godown) of Satyabadi Block, Dist-Puri.

| DATE | SCALE | SHEET NO. |
|------|--------------|-----------|
| | 1/8" = 1'-0" | 1 |

Details estimate for Construction of Building of CFC-1 at Balapur(Coir Yarn making, matmaking, Handicrafts) of Satyabadi Block, Dist-Puri.

(GROUND FLOOR)

(Center line Method)

| | | | | | | |
|---------------------|-------|-------|----------------|-------|-----------|----------|
| horizontal line | 2 | x | 49.16 Rft. | = | 98.32 | Rft. |
| Vertical line | 5 | x | 19.16 Rft. | = | 95.80 | Rft. |
| | | | | = | 194.12 | Rft. |
| Open foundation | 2 | x | 49.16 Rft. | = | 98.32 | Rft. |
| | 2 | x | 19.16 Rft. | = | 38.32 | Rft. |
| | | | | = | 136.64 | Rft. |

1 Foundation excavation in hard soil including leveling and dressing the bed and sides depositing muck within initial lead and lift etc. complete. as per direction of Engg.-in-Charge.

| | | | | | | |
|-------------------------|----|--|--------------|------------|------------|---------------------------------|
| Open foundation | 1 | | 136.64 ft. x | 2.00 ft. x | 2.00 ft = | 546.56 Cft. |
| Footing F1-C1 | 10 | | 4.00 ft. x | 4.00 ft. x | 4.00 ft = | 640.00 " |
| Step | 2 | | 6.00 ft. x | 3.00 ft. x | 1.00 ft = | 36.00 " |
| <u>Deduction</u> | | | | | | |
| Footing F1-C1 | 10 | | 4.00 ft. x | 2.00 ft. x | 2.00 ft = | -160.00 Cft. |
| | | | | | Total = | 1062.56 Cft. |
| | | | | | Net Total= | 1062.56 Cft. 30.070 Cum. |

2 Filling foundation and plinth with sand and well watered and rammed including cost, conveyance and royalty etc complete as per direction of Engg.-in-Charge.

| | | | | | | |
|------------------------------|----|--|--------------|-------------|-------------------|---------------------------------|
| Open foundation | 1 | | 136.64 ft. x | 2.00 ft. x | 0.50 ft = | 136.64 Cft. |
| Step | 2 | | 6.00 ft. x | 3.00 ft. x | 0.50 ft = | 18.00 Cft. |
| | | | | | Total = | 154.64 Cft. |
| <u>Deduction</u> | | | | | | |
| C-1 | 10 | | 1.25 ft. x | 0.83 ft. x | 3.00 ft = | -31.13 Cft. |
| Tie beam | 3 | | 18.33 ft. x | 0.83 ft. x | 0.66 ft = | -30.12 Cft. |
| | | | | | Total deduction = | -61.25 Cft. |
| <u>Add for Plinth</u> | | | | | | |
| Inside factory | 1 | | 48.33 ft. x | 18.33 ft. x | 1.66 ft = | 1470.57 Cft. |
| | | | | | Total = | 1470.57 Cft. |
| | | | | | Net Total = | 1563.96 Cft. 44.260 Cum. |

3 Cement concrete (1:3:6)with 40mm size CBHG metal including cost, conveyance and royalty etc. complete as per direction of Engg.-in-Charge.

| | | | | | | |
|-----------------|---|--------------|------------|-----------|--------|------|
| Open foundation | 1 | 136.64 ft. x | 2.00 ft. x | 0.50 ft = | 136.64 | Cft. |
| Step | 2 | 6.00 ft. x | 3.00 ft. x | 0.50 ft = | 18.00 | Cft. |

Total = 154.64 Cft.

Deduction

| | | | | | | |
|----------|----|-------------|------------|-----------|--------|------|
| C1 | 10 | 1.25 ft. x | 0.83 ft. x | 0.50 ft = | -5.19 | Cft. |
| Tie beam | 3 | 18.33 ft. x | 0.83 ft. x | 0.33 ft = | -15.06 | Cft. |

Total = -20.25 Cft.

Add for Flooring

| | | | | | | |
|----------------|---|-------------|-------------|-----------|--------|------|
| Inside factory | 1 | 48.33 ft. x | 18.33 ft. x | 0.33 ft = | 292.34 | Cft. |
|----------------|---|-------------|-------------|-----------|--------|------|

Total = 292.34 Cft.

Net Total = 426.73 Cft.

12.070 Cum.

4 Fly Ash Brick masonry in c.m. 1:6 in F & P including cost, conveyance and royalty of materials curing etc. complete. as per the direction of the Engineer-in-charge.

| | | | | | | |
|-------------|---|--------------|------------|-----------|--------|------|
| 1st Footing | 1 | 136.64 ft. x | 1.66 ft. x | 0.83 ft = | 188.26 | Cft. |
| 2nd Footing | 1 | 136.64 ft. x | 1.25 ft. x | 1.16 ft = | 198.12 | Cft. |

Steps

| | | | | | | |
|-------|---|------------|------------|-----------|-------|------|
| Steps | 2 | 6.00 ft. x | 3.00 ft. x | 0.66 ft = | 23.76 | Cft. |
| " | 2 | 6.00 ft. x | 2.00 ft. x | 0.66 ft = | 15.84 | Cft. |
| " | 2 | 6.00 ft. x | 1.00 ft. x | 0.66 ft = | 7.92 | Cft. |

Total = 433.90 Cft.

Deduction :-

| | | | | | | |
|----------------|----|------------|------------|-----------|--------|------|
| Column Portion | | | | | | |
| C-1 | 10 | 0.83 ft. x | 0.83 ft. x | 1.66 ft = | -11.44 | Cft. |

-11.44 Cft.

Net Total= 422.46 Cft.

11.950 Cum.

5 1st class Fly Ash brick masonry work in superstructure thoroughly soaked in water, with cement mortar (1:6) including scaffoldings ,racking out joints, curing etc complete as per specification/drawing and as per the direction of the Engineer-in-charge.

| | | | | | | |
|------------------|---|--------------|------------|-----------|---------|------|
| 10 " wall | 1 | 136.64 ft. x | 0.83 ft. x | 9.00 ft = | 1020.70 | Cft. |
|------------------|---|--------------|------------|-----------|---------|------|

Total = 1020.70 Cft.

Deduction (-)

| | | | | | | |
|------------|----|------------|------------|-----------|--------|------|
| Column C-1 | 10 | 0.83 ft. x | 0.83 ft. x | 9.00 ft = | -62.00 | Cft. |
|------------|----|------------|------------|-----------|--------|------|

Door

| | | | | | | |
|---|---|------------|------------|-----------|--------|------|
| D | 2 | 4.00 ft. x | 0.83 ft. x | 7.00 ft = | -46.48 | Cft. |
|---|---|------------|------------|-----------|--------|------|

| | | | | | | | |
|-----------------|---|--------------|------------|-----------|---------|------|--------------------|
| W | 6 | 5.00 ft. x | 0.83 ft. x | 4.50 ft = | -112.05 | Cft. | |
| Lintel | | | | | | | |
| 10" wall | 1 | 136.64 ft. x | 0.83 ft. x | 0.50 ft = | -56.71 | Cft. | |
| | | | | Total = | -277.24 | Cft. | |
| | | | | Net | 743.46 | Cft. | 21.040 Cum. |

6 Providing and Laying reinforcement Cement concrete (M-20) with 20 mm and down graded chips including cost all materials,labours,T & P,curing etc complete (excluding the cost of reinforcement & Centering, shuttering) as per direction of Engineer-in-charge.

Ground floor

(i) Column Base

| | | | | | | | |
|---------------|----|------------|------------|-----------|--------|------|-------------------|
| Footing F1-C1 | 10 | 4.00 ft. x | 4.00 ft. x | 1.00 ft = | 160.00 | Cft. | |
| " | 10 | 1.25 ft. x | 0.83 ft. x | 3.00 ft = | 31.12 | Cft. | |
| | | | | Total= | 191.12 | Cft. | 5.400 Cum. |

(ii) Plinth Beam

| | | | | | | | |
|------------|---|-------------|------------|-----------|--------|------|-------------------|
| Horizontal | 2 | 49.16 ft. x | 0.83 ft. x | 1.00 ft = | 81.60 | Cft. | |
| Vertical | 5 | 19.16 ft. x | 0.83 ft. x | 1.00 ft = | 79.51 | Cft. | |
| | | | | | 161.11 | Cft. | 4.550 Cum. |

(iii) Column & Beam

| | | | | | | | |
|----------------------|----|-------------|------------|-----------|--------|------|-------------------|
| C-1 | 10 | 1.25 ft. x | 0.83 ft. x | 9.00 ft = | 93.37 | Cft. | |
| Deduction : - | | | | | | | |
| C-1 | 10 | 0.83 ft. x | 0.83 ft. x | 0.50 ft = | -3.44 | Cft. | |
| Roof Beam | | | | | | | |
| Horizontal | 2 | 49.16 ft. x | 0.83 ft. x | 1.00 ft = | 81.60 | Cft. | |
| Vertical | 5 | 19.16 ft. x | 0.83 ft. x | 1.00 ft = | 79.51 | Cft. | |
| | | | | Total = | 251.04 | Cft. | 7.100 Cum. |

(iv) 65mm avg. Chajja & windows seal

| | | | | | | | |
|---|---|-----|------------|-----------|-------|------|-------------------|
| W | 6 | 2 x | 5.50 ft. x | 1.00 ft = | 66.00 | Sft. | |
| | | | | | 66.00 | Sft. | 6.130 Sqm. |

(vi) Roof Slab

| | | | | | | | |
|-----------|---|-------------|-------------|------------|--------|------|--------------------|
| Roof Slab | 1 | 50.00 ft. x | 20.00 ft. x | 0.41 ft = | 410.00 | Cft. | |
| | | | | Net Total= | 410.00 | Cft. | 11.600 Cum. |

(vii) Lintel

| | | | | | | | |
|-----------------|---|--------------|------------|-----------|-------|------|-------------------|
| 10" wall | 1 | 136.64 ft. x | 0.83 ft. x | 0.50 ft = | 56.71 | Cft. | |
| | | | | Total = | 56.71 | Cft. | 1.600 Cum. |

7 Supplying, fitting and placing uncoated HYSD bar reinforcement complete in proper position including cost of binding wire 18 to 20 gauge as per direction of Engg.-in-Charge.

| | | | | | |
|---------------------|---------------|--------|--------------|-----|--------------------|
| (i) Column Base | 5.400 | #1.0 | 5.40 | qtl | |
| | | Qt/Cum | | | |
| (ii) Tie Beam | 4.550 | # 1.20 | 5.46 | qtl | |
| | | Qt/Cum | | | |
| (iii) Column & Beam | 7.100 | # 1.76 | 12.50 | qtl | |
| | | Qt/Cum | | | |
| (iv) Chajja | 0.398 | #0.50 | 0.20 | qtl | |
| | | Qt/Cum | | | |
| (v) Roof Slab | 11.600 | #0.90 | 10.44 | qtl | |
| | | Qt/Cum | | | |
| (vi) Lintel | 1.600 | #1.2 | 1.92 | qtl | |
| | | Qt/Cum | | | |
| | <u>30.648</u> | Cft. | <u>35.92</u> | qtl | 35.915 Qtl. |
| Avg steel 1.17% | | | | | |

8 12mm cement plaster in cement mortar (1:6) including necessary scaffolding curing etc. as per direction of Engg.-in-Charge.

| | | | | | |
|---------------------|---|-------------|------------|----------------|---------------|
| Out side wall | | | | | |
| Front | 2 | 50.00 ft. x | 13.00 ft = | 1300.00 | Sft. |
| Side | 2 | 20.00 ft. x | 13.00 ft = | <u>520.00</u> | " |
| | | | Total = | 1820.00 | Sft. |
| <u>Deduction</u> | | | | | |
| W | 6 | 0.50 x | 5.00 ft. x | 4.50 ft = | -67.50 |
| D | 2 | 0.50 x | 5.00 ft. x | 7.00 ft = | <u>-35.00</u> |
| | | | | | -102.50 Sft. |
| | | | Net | <u>1717.50</u> | Sft. |
| 159.570 Sqm. | | | | | |

9 16mm thick cement plaster in cement mortar (1:6) including necessary scaffolding curing etc. as per direction of Engg.-in-Charge.

| | | | | | |
|---------------------|-----|-------------|------------|----------------|--------------------|
| Inside | | | | | |
| Factory | 2 x | 48.33 ft. x | 10.00 ft = | 966.60 | Sft. |
| " | 2 x | 18.33 ft. x | 10.00 ft = | 366.60 | Sft. |
| Step | 4 x | 3.00 ft. x | 1.00 ft = | 12.00 | Sft. |
| | | | (Avg) | | |
| | | | Total = | <u>1345.20</u> | Sft. |
| <u>Deduction</u> | | | | | |
| D | 2 x | 0.50 x | 5.00 ft. x | 7.00 ft = | -35.00 Sft. |
| W | 6 x | 0.50 x | 5.00 ft. x | 4.50 ft = | <u>-67.50</u> Sft. |
| | | | Total (-) | <u>-102.50</u> | Sft |
| | | | Net = | 1242.70 | Sft |
| 115.460 Sqm. | | | | | |

10 6mm.thick cement plaster with C.M(1:4) to RCC surface including closed deep chipping and slury treatment etc. complete as per direction of Engg.-in-Charge.

| | | | | | | | |
|----------------|-----|-------------|----------------------|---------------------|---------------------|--|---------------------|
| inside | | | | | | | |
| Factory | 1 x | 48.33 ft. x | 18.33 ft = | 885.89 | Sft. | | |
| i Inside | | | | | | | |
| Beam side | 3 x | 18.33 ft. x | 2.00 ft = | 109.98 | Sft. | | |
| Column portion | | | | | | | |
| C-1 side | 6 x | 0.83 ft. x | 10.00 ft = | 49.80 | Sft. | | |
| | | | | A = | 1045.67 Sft. | | 97.150 Sqm. |
| ii outside | | | | | | | |
| Chajja | | | | | | | |
| W | 6 x | 4 x | 5.50 ft. x 1.00 ft = | 132.00 | Sft. | | |
| | | | | B = | 132.00 Sft. | | 12.260 Sqm. |
| | | | | Total (A+B)= | 1177.67 Sft. | | 109.410 Sqm. |

11 2.5cm. thick A.S.Flooring with C.C.1:2:4 using 12mm. size HBG crusher broken chips including punning,cost,conveyance and royalty of materials curing etc. complete as per direction of Engg-in-Charge .

| | | | | | | | |
|---------|---|-------------|------------|----------------|--------------------|--|--------------------|
| Factory | 1 | 48.33 ft. x | 18.33 ft = | 885.89 | Sft. | | |
| Step | 2 | 6.00 ft. x | 1.66 ft = | 0.00 | Sft. | | |
| " | 2 | 3.00 ft. x | 1.66 ft = | 0.00 | Sft. | | |
| " | 2 | 1.00 ft. x | 1.66 ft = | 0.00 | Sft. | | |
| | | | | Total = | 885.89 Sft. | | 82.300 Sqm. |

12 Cement washing two coats with cost of all labour & materials etc. complete as per direction of Engg-in-Charge .

| | | | | | |
|------------------------------|----------------|---------------|-------------|--|---------------------|
| Same as 12 mm cement plaster | 8 = | 159.57 | Sqm. | | |
| Same as 16 mm cement plaster | 9 = | 115.46 | Sqm. | | |
| Same as 6 mm cement plaster | 10 = | 109.41 | Sqm. | | |
| | Total = | 384.44 | Sqm. | | 384.440 Sqm. |

13 Finishing walls with water proofing cement paint of aoroved shade on new work two coats to give an even shade excluding cost of paint etc. complete as per direction of Engg-in-Charge .

| | | | | | |
|---------------------|----------------|---------------|-------------|--|---------------------|
| Same as cement wash | Total = | 384.44 | Sqm. | | 384.440 Sqm. |
|---------------------|----------------|---------------|-------------|--|---------------------|

14 Supplying and fixing of steel M.S. grill with all fitting and fixtures including cost of cutting holes in the brick masonry and R.C.C. columns and making good to damage etc, as per direction of Engineer -in - charge.

| | | | | | |
|---|-----|------------|-----------|--------|------|
| D | 2 x | 4.00 ft. x | 7.00 ft = | 56.00 | Sft. |
| W | 6 x | 5.00 ft. x | 4.50 ft = | 135.00 | Sft. |

Total = 191.00 Sft.
3.5 Kg/sft =

668.500 Kg.

15 Eamel Painting two coats with enamel paint over one coat of primer of approved quality etc. complete as per direction of Engg-in-Charge .

| | | | | | | |
|---|-----|--------|------------|-----------|-------|------|
| D | 1 x | 0.50 x | 4.00 ft. x | 7.00 ft = | 14.00 | Sft. |
| W | 4 x | 0.50 x | 5.00 ft. x | 4.50 ft = | 45.00 | Sft. |

Total = 59.00 Sft.

5.480 Sqm.

16 20mm. thick grading plaster in c.m. 1:4 over roof slab and chujja including cost conveyance and royalty of materials curing etc. complete as per direction of Engg-in-Charge .

| | | | | | |
|------|-----|-------------|------------|---------|------|
| Roof | 1 x | 50.00 ft. x | 20.00 ft = | 1000.00 | Sft. |
|------|-----|-------------|------------|---------|------|

Total = 1000.00 Sft.

92.910 Sqm.

**Details estimate for Construction of Building of CFC-1 at Balapur(Design
Development centre) of Satyabadi Block, Dist-Puri.**

(GROUND FLOOR)

(Center line Method)

| | | | | | | |
|------------------------|---|---|------------|---|---------------|------|
| horizontal line | 2 | x | 14.16 Rft. | = | 28.32 | Rft. |
| Vertical line | 4 | x | 19.16 Rft. | = | 76.64 | Rft. |
| | | | | = | <u>104.96</u> | Rft. |
| Open foundation | 2 | x | 14.16 Rft. | = | 28.32 | Rft. |
| | 2 | x | 19.16 Rft. | = | 38.32 | Rft. |
| | | | | = | <u>66.64</u> | Rft. |

1 Foundation excavation in hard soil including leveling and dressing the bed and sides depositing muck within initial lead and lift etc. complete. as per direction of Engg.-in-Charge.

| | | | | | | | |
|-------------------------|---|--|-------------|------------|------------|---------------|-------------------------|
| Open foundation | 1 | | 66.64 ft. x | 2.00 ft. x | 2.00 ft = | 266.56 | Cft. |
| Footing F1-C1 | 4 | | 4.00 ft. x | 4.00 ft. x | 4.00 ft = | 256.00 | " |
| Step | 1 | | 5.00 ft. x | 3.00 ft. x | 1.00 ft = | 15.00 | " |
| <u>Deduction</u> | | | | | | | |
| Footing F1-C1 | 4 | | 4.00 ft. x | 2.00 ft. x | 2.00 ft = | -64.00 | Cft. |
| | | | | | Total = | <u>473.56</u> | Cft. |
| | | | | | Net Total= | 473.56 | Cft. 13.400 Cum. |

2 Filling foundation and plinth with sand and well watered and rammed including cost, conveyance and royalty etc complete as per direction of Engg.-in-Charge.

| | | | | | | | |
|-------------------------|---|--|-------------|-------------|-------------------|---------------|-------------------------|
| Open foundation | 1 | | 66.64 ft. x | 2.00 ft. x | 0.50 ft = | 66.64 | Cft. |
| Step | 1 | | 5.00 ft. x | 3.00 ft. x | 0.50 ft = | 7.50 | Cft. |
| | | | | | Total = | <u>74.14</u> | Cft. |
| <u>Deduction</u> | | | | | | | |
| C-1 | 4 | | 1.25 ft. x | 0.83 ft. x | 3.00 ft = | -12.45 | Cft. |
| | | | | | Total deduction = | <u>-12.45</u> | Cft. |
| Add for Plinth | | | | | | | |
| Inside factory | 1 | | 13.33 ft. x | 18.33 ft. x | 1.66 ft = | 405.60 | Cft. |
| | | | | | Total = | <u>405.60</u> | Cft. |
| | | | | | Net Total = | 467.29 | Cft. 13.220 Cum. |

3 Cement concrete (1:3:6)with 40mm size CBHG metal including cost, conveyance and royalty etc. complete as per direction of Engg.-in-Charge.

| | | | | | | |
|--------------------------------|---|-------------|-------------|-------------|---------------|------|
| Open foundation | 1 | 66.64 ft. x | 2.00 ft. x | 0.50 ft = | 66.64 | Cft. |
| Step | 1 | 5.00 ft. x | 3.00 ft. x | 0.50 ft = | 7.50 | Cft. |
| | | | | Total = | <u>74.14</u> | Cft. |
| <u>Deduction</u> | | | | | | |
| C1 | 4 | 1.25 ft. x | 0.83 ft. x | 0.50 ft = | -2.08 | Cft. |
| | | | | Total = | <u>-2.08</u> | Cft. |
| <u>Add for Flooring</u> | | | | | | |
| Inside factory | 1 | 13.33 ft. x | 18.33 ft. x | 0.33 ft = | 80.63 | Cft. |
| | | | | Total = | <u>80.63</u> | Cft. |
| | | | | Net Total = | <u>152.70</u> | Cft. |

4.320 Cum.

4 Fly Ash Brick masonry in c.m. 1:6 in F & P including cost, conveyance and royalty of materials curing etc. complete. as per the direction of the Engineer-in-charge.

| | | | | | | |
|---------------------|---|-------------|------------|------------|---------------|------|
| 1st Footing | 1 | 66.64 ft. x | 1.25 ft. x | 0.83 ft = | 69.13 | Cft. |
| 2nd Footing | 1 | 66.64 ft. x | 0.83 ft. x | 1.33 ft = | 73.56 | Cft. |
| Steps | | | | | | |
| Steps | 1 | 5.00 ft. x | 3.00 ft. x | 0.66 ft = | 9.90 | Cft. |
| " | 1 | 5.00 ft. x | 2.00 ft. x | 0.66 ft = | 6.60 | Cft. |
| " | 1 | 5.00 ft. x | 1.00 ft. x | 0.66 ft = | 3.30 | Cft. |
| | | | | Total = | <u>162.49</u> | Cft. |
| Deduction :- | | | | | | |
| Column Portion | | | | | | |
| C-1 | 4 | 1.25 ft. x | 0.83 ft. x | 1.66 ft = | -6.89 | Cft. |
| | | | | | <u>-6.89</u> | Cft. |
| | | | | Net Total= | <u>155.60</u> | Cft. |

4.400 Cum.

5 1st class Fly Ash brick masonry work in superstructure thoroughly soaked in water, with cement mortar (1:6) including scaffoldings ,racking out joints, curing etc complete as per specification/drawing and as per the direction of the Engineer-in-charge.

| | | | | | | |
|-----------------------------|---|-------------|------------|-----------|---------------|------|
| 10 " wall | 1 | 66.64 ft. x | 0.83 ft. x | 9.16 ft = | 506.65 | Cft. |
| | | | | Total = | <u>506.65</u> | Cft. |
| <u>Deduction (-)</u> | | | | | | |
| Column C-1 | 4 | 1.25 ft. x | 0.83 ft. x | 9.16 ft = | -38.01 | Cft. |
| <u>Door</u> | | | | | | |
| D | 1 | 4.00 ft. x | 0.83 ft. x | 7.00 ft = | -23.24 | Cft. |
| W | 1 | 5.00 ft. x | 0.83 ft. x | 4.50 ft = | -18.68 | Cft. |

| | | | | | | | |
|-----------------|---|-------------|------------|-----------|---------|------|--------------------|
| Lintel | | | | | | | |
| 10" wall | 1 | 66.64 ft. x | 0.83 ft. x | 0.50 ft = | -27.66 | Cft. | |
| | | | | Total = | -107.58 | Cft. | |
| | | | | Net | 399.07 | Cft. | 11.290 Cum. |

6 Providing and Laying reinforcement Cement concrete (M-20) with 20 mm and down graded chips including cost all materials,labours,T & P,curing etc complete (excluding the cost of reinforcement & Centering, shuttering) as per direction of Engineer-in-charge.

Ground floor

(i) **Column Base**

| | | | | | | | |
|---------------|---|------------|------------|-----------|-------|------|-------------------|
| Footing F1-C1 | 4 | 3.00 ft. x | 3.00 ft. x | 1.00 ft = | 36.00 | Cft. | |
| " | 4 | 1.25 ft. x | 0.83 ft. x | 3.00 ft = | 12.45 | Cft. | |
| | | | | Total= | 48.45 | Cft. | 1.370 Cum. |

(ii) **Plinth Beam**

| | | | | | | | |
|------------|---|-------------|------------|-----------|-------|------|-------------------|
| Horizontal | 2 | 14.16 ft. x | 0.83 ft. x | 0.83 ft = | 19.50 | Cft. | |
| Vertical | 2 | 19.16 ft. x | 0.83 ft. x | 0.83 ft = | 26.39 | Cft. | |
| | | | | | 45.89 | Cft. | 1.290 Cum. |

(iii) **Column & Beam**

| | | | | | | | |
|----------------------|---|-------------|------------|-----------|-------|------|-------------------|
| C-1 | 4 | 1.25 ft. x | 0.83 ft. x | 9.00 ft = | 37.35 | Cft. | |
| Deduction : - | | | | | | | |
| C-1 | 4 | 0.83 ft. x | 0.83 ft. x | 0.50 ft = | -1.38 | Cft. | |
| Roof Beam | | | | | | | |
| Horizontal | 2 | 14.16 ft. x | 0.83 ft. x | 0.83 ft = | 19.50 | Cft. | |
| Vertical | 2 | 19.16 ft. x | 0.83 ft. x | 0.83 ft = | 26.39 | Cft. | |
| | | | | Total = | 81.86 | Cft. | 2.310 Cum. |

(iv) **65mm avg. Chajja & windows seal**

| | | | | | | | |
|---|---|-----|------------|-----------|-------|------|-------------------|
| W | 1 | 2 x | 5.50 ft. x | 1.00 ft = | 11.00 | Sft. | |
| | | | | | 11.00 | Sft. | 1.020 Sqm. |

(vi) **Roof Slab**

| | | | | | | | |
|-----------|---|-------------|-------------|------------|--------|------|-------------------|
| Roof Slab | 1 | 15.00 ft. x | 20.00 ft. x | 0.41 ft = | 123.00 | Cft. | |
| | | | | Net Total= | 123.00 | Cft. | 3.480 Cum. |

(vii) **Lintel**

| | | | | | | | |
|-----------------|---|-------------|------------|-----------|-------|------|-------------------|
| 10" wall | 1 | 66.64 ft. x | 0.83 ft. x | 0.50 ft = | 27.66 | Cft. | |
| | | | | Total = | 27.66 | Cft. | 0.780 Cum. |

7 Supplying, fitting and placing uncoated HYSD bar reinforcement complete in proper position including cost of binding wire 18 to 20 gauge as per direction of Engg.-in-Charge.

| | | | | | |
|---------------------|--------------|---------|--------------|-----|--------------------|
| (i) Column Base | 1.370 | #1.0 | 1.37 | qtl | |
| | | QtI/Cum | | | |
| (ii) Tie Beam | 1.290 | # 1.20 | 1.55 | qtl | |
| | | QtI/Cum | | | |
| (iii) Column & Beam | 2.310 | # 1.76 | 4.07 | qtl | |
| | | QtI/Cum | | | |
| (iv) Chajja | 0.066 | #0.50 | 0.03 | qtl | |
| | | QtI/Cum | | | |
| (v) Roof Slab | 3.480 | #0.90 | 3.13 | qtl | |
| | | QtI/Cum | | | |
| (vi) Lintel | 0.780 | #1.2 | 0.94 | qtl | |
| | | QtI/Cum | | | |
| | <u>9.296</u> | Cft. | <u>11.08</u> | qtl | 11.085 Qtl. |
| Avg steel 1.19% | | | | | |

8 12mm cement plaster in cement mortar (1:6)including necessary scaffolding curing etc. as per direction of Engg.-in-Charge.

| | | | | | |
|--------------------|---|-------------|----------------------|---------------|------|
| Out side wall | | | | | |
| Front | 2 | 15.00 ft. x | 13.00 ft = | 390.00 | Sft. |
| Side | 2 | 20.00 ft. x | 13.00 ft = | <u>520.00</u> | " |
| | | | Total = | <u>910.00</u> | Sft. |
| <u>Deduction</u> | | | | | |
| W | 1 | 0.50 x | 5.00 ft. x 4.50 ft = | -11.25 | |
| D | 1 | 0.50 x | 4.00 ft. x 7.00 ft = | <u>-14.00</u> | " |
| | | | | <u>-25.25</u> | Sft. |
| | | | Net | <u>884.75</u> | Sft. |
| 82.200 Sqm. | | | | | |

9 16mm thick cement plaster in cement mortar (1:6) including necessary scaffolding curing etc. as per direction of Engg.-in-Charge.

| | | | | | |
|--------------------|-----|-------------|----------------------|---------------|------|
| <u>Inside</u> | | | | | |
| Factory | 2 x | 13.33 ft. x | 10.00 ft = | 266.60 | Sft. |
| " | 2 x | 18.33 ft. x | 10.00 ft = | <u>366.60</u> | Sft. |
| | | | Total = | <u>633.20</u> | Sft. |
| <u>Deduction</u> | | | | | |
| D | 1 x | 0.50 x | 4.00 ft. x 7.00 ft = | -14.00 | Sft. |
| W | 1 x | 0.50 x | 5.00 ft. x 4.50 ft = | <u>-11.25</u> | Sft. |
| | | | Total (-) | <u>-25.25</u> | Sft |
| | | | Net = | <u>607.95</u> | Sft |
| 56.480 Sqm. | | | | | |

10 6mm.thick cement plaster with C.M(1:4) to RCC surface including closed deep chipping and slury treatment etc. complete as per direction of Engg.-in-Charge.

inside

Factory 1 x 13.33 ft. x 18.33 ft = 244.34 Sft.

A = 244.34 Sft. 22.700 Sqm.

ii outside

Chajja

W 1 x 2 x 5.50 ft. x 1.00 ft = 11.00 Sft.

B = 11.00 Sft. 1.020 Sqm.

Total (A+B)= 255.34 Sft. 23.720 Sqm.

11 2.5cm. thick A.S.Flooring with C.C.1:2:4 using 12mm. size HBG crusher broken chips including punning,cost,conveyance and royalty of materials curing etc. complete as per direction of Engg-in-Charge .

Factory 1 13.33 ft. x 18.33 ft = 244.34 Sft.

Total = 244.34 Sft. 22.700 Sqm.

12 Cement washing two coats with cost of all labour & materials etc. complete as per direction of Engg-in-Charge .

Same as 12 mm cement plaster 8 = 82.20 Sqm.

Same as 16 mm cement plaster 9 = 56.48 Sqm.

Same as 6 mm cement plaster 10 = 23.72 Sqm.

Total = 162.40 Sqm. 162.400 Sqm.

13 Finishing walls with water proofing cement paint of aooroved shade on new work two coats to give an even shade excluding cost of paint etc. complete as per direction of Engg-in-Charge .

Same as cement wash Total = 162.40 Sqm. 162.400 Sqm.

14 Supplying and fixing of steel M.S. grill with all fitting and fixtures including cost of cutting holes in the brick masonry and R.C.C. columns and making good to damage etc, as per direction of Engineer -in - charge.

D 1 x 4.00 ft. x 7.00 ft = 28.00 Sft.

W 1 x 5.00 ft. x 4.50 ft = 22.50 Sft.

Total = 50.50 Sft.

3.5 Kg/sft = 176.750 Kg.

15 Enamel Painting two coats with enamel paint over one coat of primer of approved quality etc. complete as per direction of Engg-in-Charge .

| | | | | | | |
|---|-----|--------|------------|-----------|--------------|------|
| D | 1 x | 0.50 x | 4.00 ft. x | 7.00 ft = | 14.00 | Sft. |
| W | 1 x | 0.50 x | 5.00 ft. x | 4.50 ft = | <u>11.25</u> | Sft. |
| | | | Total = | | 25.25 | Sft. |

2.340 Sqm.

Details estimate for Construction of Building of CFC-1 at Balapur(Storage godown) of Satyabadi Block, Dist-Puri.

(GROUND FLOOR)

(Center line Method)

| | | | | | | |
|---------------------|-------|-------|----------------|-------|-----------|----------|
| horizontal line | 2 | x | 49.16 Rft. | = | 98.32 | Rft. |
| Vertical line | 5 | x | 19.16 Rft. | = | 95.80 | Rft. |
| | | | | = | 194.12 | Rft. |
| Open foundation | 2 | x | 49.16 Rft. | = | 98.32 | Rft. |
| | 2 | x | 19.16 Rft. | = | 38.32 | Rft. |
| | | | | = | 136.64 | Rft. |

1 Foundation excavation in hard soil including leveling and dressing the bed and sides depositing muck within initial lead and lift etc. complete. as per direction of Engg.-in-Charge.

| | | | | | | |
|-------------------------|----|--|--------------|------------|------------|---------------------------------|
| Open foundation | 1 | | 136.64 ft. x | 2.00 ft. x | 2.00 ft = | 546.56 Cft. |
| Footing F1-C1 | 10 | | 4.00 ft. x | 4.00 ft. x | 4.00 ft = | 640.00 " |
| Step | 2 | | 6.00 ft. x | 3.00 ft. x | 1.00 ft = | 36.00 " |
| <u>Deduction</u> | | | | | | |
| Footing F1-C1 | 10 | | 4.00 ft. x | 2.00 ft. x | 2.00 ft = | -160.00 Cft. |
| | | | | | Total = | 1062.56 Cft. |
| | | | | | Net Total= | 1062.56 Cft. 30.070 Cum. |

2 Filling foundation and plinth with sand and well watered and rammed including cost, conveyance and royalty etc complete as per direction of Engg.-in-Charge.

| | | | | | | |
|------------------------------|----|--|--------------|-------------|-------------------|---------------------------------|
| Open foundation | 1 | | 136.64 ft. x | 2.00 ft. x | 0.50 ft = | 136.64 Cft. |
| Step | 2 | | 6.00 ft. x | 3.00 ft. x | 0.50 ft = | 18.00 Cft. |
| | | | | | Total = | 154.64 Cft. |
| <u>Deduction</u> | | | | | | |
| C-1 | 10 | | 1.25 ft. x | 0.83 ft. x | 3.00 ft = | -31.13 Cft. |
| Tie beam | 3 | | 18.33 ft. x | 0.83 ft. x | 0.66 ft = | -30.12 Cft. |
| | | | | | Total deduction = | -61.25 Cft. |
| <u>Add for Plinth</u> | | | | | | |
| Inside factory | 1 | | 48.33 ft. x | 18.33 ft. x | 1.66 ft = | 1470.57 Cft. |
| | | | | | Total = | 1470.57 Cft. |
| | | | | | Net Total = | 1563.96 Cft. 44.260 Cum. |

3 Cement concrete (1:3:6)with 40mm size CBHG metal including cost, conveyance and royalty etc. complete as per direction of Engg.-in-Charge.

| | | | | | | |
|-----------------|---|--------------|------------|-----------|--------|------|
| Open foundation | 1 | 136.64 ft. x | 2.00 ft. x | 0.50 ft = | 136.64 | Cft. |
| Step | 2 | 6.00 ft. x | 3.00 ft. x | 0.50 ft = | 18.00 | Cft. |

Total = 154.64 Cft.

Deduction

| | | | | | | |
|----------|----|-------------|------------|-----------|--------|------|
| C1 | 10 | 1.25 ft. x | 0.83 ft. x | 0.50 ft = | -5.19 | Cft. |
| Tie beam | 3 | 18.33 ft. x | 0.83 ft. x | 0.33 ft = | -15.06 | Cft. |

Total = -20.25 Cft.

Add for Flooring

| | | | | | | |
|----------------|---|-------------|-------------|-----------|--------|------|
| Inside factory | 1 | 48.33 ft. x | 18.33 ft. x | 0.33 ft = | 292.34 | Cft. |
|----------------|---|-------------|-------------|-----------|--------|------|

Total = 292.34 Cft.

Net Total = 426.73 Cft.

12.070 Cum.

4 Fly Ash Brick masonry in c.m. 1:6 in F & P including cost, conveyance and royalty of materials curing etc. complete. as per the direction of the Engineer-in-charge.

| | | | | | | |
|-------------|---|--------------|------------|-----------|--------|------|
| 1st Footing | 1 | 136.64 ft. x | 1.66 ft. x | 0.83 ft = | 188.26 | Cft. |
| 2nd Footing | 1 | 136.64 ft. x | 1.25 ft. x | 1.16 ft = | 198.12 | Cft. |

Steps

| | | | | | | |
|-------|---|------------|------------|-----------|-------|------|
| Steps | 2 | 6.00 ft. x | 3.00 ft. x | 0.66 ft = | 23.76 | Cft. |
| " | 2 | 6.00 ft. x | 2.00 ft. x | 0.66 ft = | 15.84 | Cft. |
| " | 2 | 6.00 ft. x | 1.00 ft. x | 0.66 ft = | 7.92 | Cft. |

Total = 433.90 Cft.

Deduction :-

| | | | | | | |
|----------------|----|------------|------------|-----------|--------|------|
| Column Portion | | | | | | |
| C-1 | 10 | 0.83 ft. x | 0.83 ft. x | 1.66 ft = | -11.44 | Cft. |

-11.44 Cft.

Net Total= 422.46 Cft.

11.950 Cum.

5 1st class Fly Ash brick masonry work in superstructure thoroughly soaked in water, with cement mortar (1:6) including scaffoldings ,racking out joints, curing etc complete as per specification/drawing and as per the direction of the Engineer-in-charge.

| | | | | | | |
|------------------|---|--------------|------------|-----------|---------|------|
| 10 " wall | 1 | 136.64 ft. x | 0.83 ft. x | 9.00 ft = | 1020.70 | Cft. |
|------------------|---|--------------|------------|-----------|---------|------|

Total = 1020.70 Cft.

Deduction (-)

| | | | | | | |
|------------|----|------------|------------|-----------|--------|------|
| Column C-1 | 10 | 0.83 ft. x | 0.83 ft. x | 9.00 ft = | -62.00 | Cft. |
|------------|----|------------|------------|-----------|--------|------|

Door

| | | | | | | |
|---|---|------------|------------|-----------|--------|------|
| D | 2 | 4.00 ft. x | 0.83 ft. x | 7.00 ft = | -46.48 | Cft. |
|---|---|------------|------------|-----------|--------|------|

| | | | | | | | |
|-----------------|---|--------------|------------|-----------|---------|------|--------------------|
| W | 6 | 5.00 ft. x | 0.83 ft. x | 4.50 ft = | -112.05 | Cft. | |
| Lintel | | | | | | | |
| 10" wall | 1 | 136.64 ft. x | 0.83 ft. x | 0.50 ft = | -56.71 | Cft. | |
| | | | | Total = | -277.24 | Cft. | |
| | | | | Net | 743.46 | Cft. | 21.040 Cum. |

6 Providing and Laying reinforcement Cement concrete (M-20) with 20 mm and down graded chips including cost all materials,labours,T & P,curing etc complete (excluding the cost of reinforcement & Centering, shuttering) as per direction of Engineer-in-charge.

Ground floor

(i) Column Base

| | | | | | | | |
|---------------|----|------------|------------|-----------|--------|------|-------------------|
| Footing F1-C1 | 10 | 4.00 ft. x | 4.00 ft. x | 1.00 ft = | 160.00 | Cft. | |
| " | 10 | 1.25 ft. x | 0.83 ft. x | 3.00 ft = | 31.12 | Cft. | |
| | | | | Total= | 191.12 | Cft. | 5.400 Cum. |

(ii) Plinth Beam

| | | | | | | | |
|------------|---|-------------|------------|-----------|--------|------|-------------------|
| Horizontal | 2 | 49.16 ft. x | 0.83 ft. x | 1.00 ft = | 81.60 | Cft. | |
| Vertical | 5 | 19.16 ft. x | 0.83 ft. x | 1.00 ft = | 79.51 | Cft. | |
| | | | | | 161.11 | Cft. | 4.550 Cum. |

(iii) Column & Beam

| | | | | | | | |
|----------------------|----|-------------|------------|-----------|--------|------|-------------------|
| C-1 | 10 | 1.25 ft. x | 0.83 ft. x | 9.00 ft = | 93.37 | Cft. | |
| Deduction : - | | | | | | | |
| C-1 | 10 | 0.83 ft. x | 0.83 ft. x | 0.50 ft = | -3.44 | Cft. | |
| Roof Beam | | | | | | | |
| Horizontal | 2 | 49.16 ft. x | 0.83 ft. x | 1.00 ft = | 81.60 | Cft. | |
| Vertical | 5 | 19.16 ft. x | 0.83 ft. x | 1.00 ft = | 79.51 | Cft. | |
| | | | | Total = | 251.04 | Cft. | 7.100 Cum. |

(iv) 65mm avg. Chajja & windows seal

| | | | | | | | |
|---|---|-----|------------|-----------|-------|------|-------------------|
| W | 6 | 2 x | 5.50 ft. x | 1.00 ft = | 66.00 | Sft. | |
| | | | | | 66.00 | Sft. | 6.130 Sqm. |

(vi) Roof Slab

| | | | | | | | |
|-----------|---|-------------|-------------|------------|--------|------|--------------------|
| Roof Slab | 1 | 50.00 ft. x | 20.00 ft. x | 0.41 ft = | 410.00 | Cft. | |
| | | | | Net Total= | 410.00 | Cft. | 11.600 Cum. |

(vii) Lintel

| | | | | | | | |
|-----------------|---|--------------|------------|-----------|-------|------|-------------------|
| 10" wall | 1 | 136.64 ft. x | 0.83 ft. x | 0.50 ft = | 56.71 | Cft. | |
| | | | | Total = | 56.71 | Cft. | 1.600 Cum. |

7 Supplying, fitting and placing uncoated HYSD bar reinforcement complete in proper position including cost of binding wire 18 to 20 gauge as per direction of Engg.-in-Charge.

| | | | | | |
|---------------------|--------|--------|-------|-----|--------------------|
| (i) Column Base | 5.400 | #1.0 | 5.40 | qtl | |
| | | Qt/Cum | | | |
| (ii) Tie Beam | 4.550 | # 1.20 | 5.46 | qtl | |
| | | Qt/Cum | | | |
| (iii) Column & Beam | 7.100 | # 1.76 | 12.50 | qtl | |
| | | Qt/Cum | | | |
| (iv) Chajja | 0.398 | #0.50 | 0.20 | qtl | |
| | | Qt/Cum | | | |
| (v) Roof Slab | 11.600 | #0.90 | 10.44 | qtl | |
| | | Qt/Cum | | | |
| (vi) Lintel | 1.600 | #1.2 | 1.92 | qtl | |
| | | Qt/Cum | | | |
| | 30.648 | Cft. | 35.92 | qtl | 35.915 Qtl. |
| Avg steel 1.17% | | | | | |

8 12mm cement plaster in cement mortar (1:6)including necessary scaffolding curing etc. as per direction of Engg.-in-Charge.

| | | | | | |
|---------------------|---|-------------|------------|-----------|--------|
| Out side wall | | | | | |
| Front | 2 | 50.00 ft. x | 13.00 ft = | 1300.00 | Sft. |
| Side | 2 | 20.00 ft. x | 13.00 ft = | 520.00 | " |
| | | | Total = | 1820.00 | Sft. |
| <u>Deduction</u> | | | | | |
| W | 6 | 0.50 x | 5.00 ft. x | 4.50 ft = | -67.50 |
| D | 2 | 0.50 x | 5.00 ft. x | 7.00 ft = | -35.00 |
| | | | | -102.50 | Sft. |
| | | | Net | 1717.50 | Sft. |
| 159.570 Sqm. | | | | | |

9 16mm thick cement plaster in cement mortar (1:6) including necessary scaffolding curing etc. as per direction of Engg.-in-Charge.

| | | | | | |
|---------------------|-----|-------------|------------|-----------|-------------|
| Inside | | | | | |
| Factory | 2 x | 48.33 ft. x | 10.00 ft = | 966.60 | Sft. |
| " | 2 x | 18.33 ft. x | 10.00 ft = | 366.60 | Sft. |
| Step | 4 x | 3.00 ft. x | 1.00 ft = | 12.00 | Sft. |
| | | | (Avg) | | |
| | | | Total = | 1345.20 | Sft. |
| <u>Deduction</u> | | | | | |
| D | 2 x | 0.50 x | 5.00 ft. x | 7.00 ft = | -35.00 Sft. |
| W | 6 x | 0.50 x | 5.00 ft. x | 4.50 ft = | -67.50 Sft. |
| | | | Total (-) | -102.50 | Sft |
| | | | Net = | 1242.70 | Sft |
| 115.460 Sqm. | | | | | |

10 6mm.thick cement plaster with C.M(1:4) to RCC surface including closed deep chipping and slury treatment etc. complete as per direction of Engg.-in-Charge.

| | | | | | | | | |
|----------------|-----|-------------|----------------------|---------------------|----------------|-------------|--|---------------------|
| inside | | | | | | | | |
| Factory | 1 x | 48.33 ft. x | 18.33 ft = | 885.89 | Sft. | | | |
| i Inside | | | | | | | | |
| Beam side | 3 x | 18.33 ft. x | 2.00 ft = | 109.98 | Sft. | | | |
| Column portion | | | | | | | | |
| C-1 side | 6 x | 0.83 ft. x | 10.00 ft = | 49.80 | Sft. | | | |
| | | | | A = | 1045.67 | Sft. | | 97.150 Sqm. |
| ii outside | | | | | | | | |
| Chajja | | | | | | | | |
| W | 6 x | 4 x | 5.50 ft. x 1.00 ft = | 132.00 | Sft. | | | |
| | | | | B = | 132.00 | Sft. | | 12.260 Sqm. |
| | | | | Total (A+B)= | 1177.67 | Sft. | | 109.410 Sqm. |

11 2.5cm. thick A.S.Flooring with C.C.1:2:4 using 12mm. size HBG crusher broken chips including punning,cost,conveyance and royalty of materials curing etc. complete as per direction of Engg-in-Charge .

| | | | | | | | |
|---------|---|-------------|------------|----------------|---------------|-------------|--------------------|
| Factory | 1 | 48.33 ft. x | 18.33 ft = | 885.89 | Sft. | | |
| Step | 2 | 6.00 ft. x | 1.66 ft = | 0.00 | Sft. | | |
| " | 2 | 3.00 ft. x | 1.66 ft = | 0.00 | Sft. | | |
| " | 2 | 1.00 ft. x | 1.66 ft = | 0.00 | Sft. | | |
| | | | | Total = | 885.89 | Sft. | 82.300 Sqm. |

12 Cement washing two coats with cost of all labour & materials etc. complete as per direction of Engg-in-Charge .

| | | | | | |
|------------------------------|----------------|---------------|-------------|--|---------------------|
| Same as 12 mm cement plaster | 8 = | 159.57 | Sqm. | | |
| Same as 16 mm cement plaster | 9 = | 115.46 | Sqm. | | |
| Same as 6 mm cement plaster | 10 = | 109.41 | Sqm. | | |
| | Total = | 384.44 | Sqm. | | 384.440 Sqm. |

13 Finishing walls with water proofing cement paint of aoroved shade on new work two coats to give an even shade excluding cost of paint etc. complete as per direction of Engg-in-Charge .

| | | | | | |
|---------------------|----------------|---------------|-------------|--|---------------------|
| Same as cement wash | Total = | 384.44 | Sqm. | | 384.440 Sqm. |
|---------------------|----------------|---------------|-------------|--|---------------------|

14 Supplying and fixing of steel M.S. grill with all fitting and fixtures including cost of cutting holes in the brick masonry and R.C.C. columns and making good to damage etc, as per direction of Engineer -in - charge.

| | | | | |
|---|-----|------------|-----------|-------------|
| D | 2 x | 4.00 ft. x | 7.00 ft = | 56.00 Sft. |
| W | 6 x | 5.00 ft. x | 4.50 ft = | 135.00 Sft. |

Total = 191.00 Sft.
3.5 Kg/sft =

668.500 Kg.

15 Eamel Painting two coats with enamel paint over one coat of primer of approved quality etc. complete as per direction of Engg-in-Charge .

| | | | | | |
|---|-----|--------|------------|-----------|-------------------|
| D | 1 x | 0.50 x | 4.00 ft. x | 7.00 ft = | 14.00 Sft. |
| W | 4 x | 0.50 x | 5.00 ft. x | 4.50 ft = | <u>45.00 Sft.</u> |

Total = 59.00 Sft.

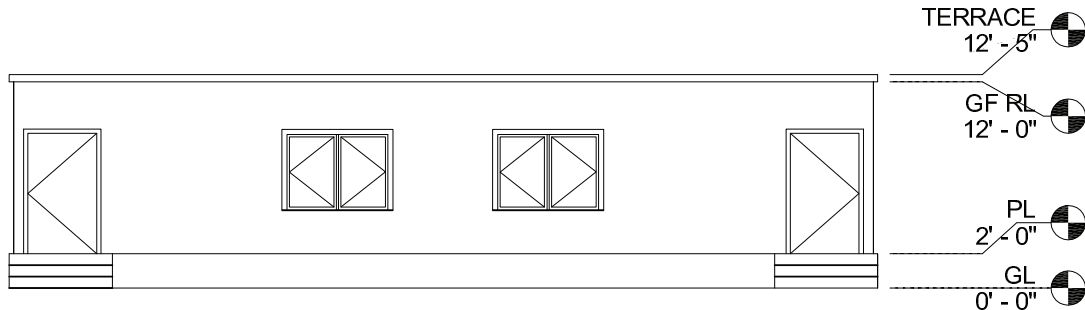
5.480 Sqm.

16 20mm. thick grading plaster in c.m. 1:4 over roof slab and chujja including cost conveyance and royalty of materials curing etc. complete as per direction of Engg-in-Charge .

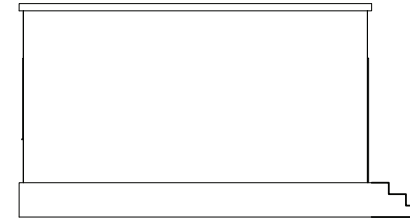
| | | | | |
|------|-----|-------------|------------|--------------|
| Roof | 1 x | 50.00 ft. x | 20.00 ft = | 1000.00 Sft. |
|------|-----|-------------|------------|--------------|

Total = 1000.00 Sft.

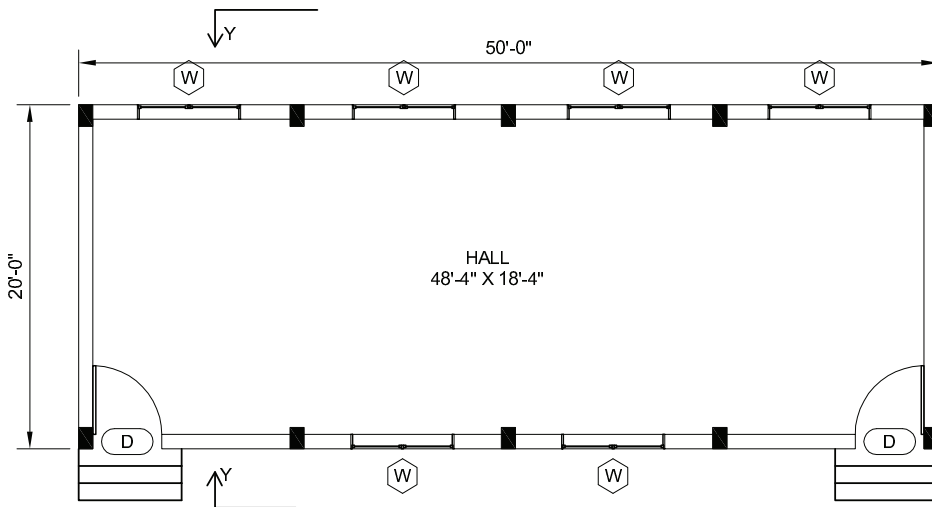
92.910 Sqm.



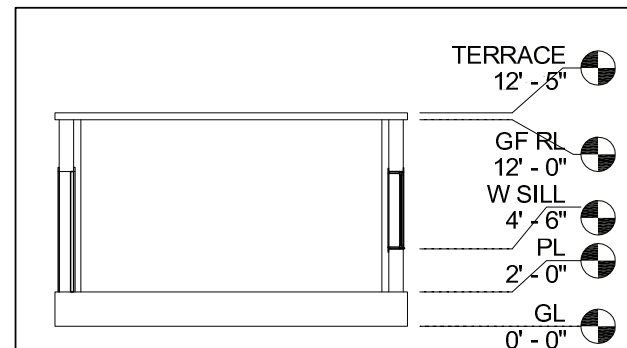
FRONT ELEVATION



LEFT SIDE ELEVATION



PLAN



SECTION AT Y-Y

- NOTE:-
1. THE DRAWING SHALL BE READ AND THE DIMENSIONS MUST BE FOLLOWED.
 2. THIS DRAWING IS READ IN CONJUNCTION WITH RELEVANT ARCHITECTURAL, STRUCTURAL AND ALL SERVICES DRAWINGS.
 3. ANY DISCREPANCY, IF SO SHALL BE IMMEDIATELY BROUGHT TO THE NOTICE OF THE CONSULTANTS BEFORE START OF CONSTRUCTION WORK.
 4. ALL P.C.C WORK SHOULD BE M-15 GARDE CONCRETE.
 5. ALL R.C.C WORK SHOULD BE M-20 GARDE CONCRETE.
 6. GRADE OF STEEL: F_y=415 (H.Y.S.D BARS), LAP LENGTH AND ANCHORAGE LENGTH (L_d) TO BE PROVIDED 50D.
 7. CLEAR COVER TO REINFORCEMENT SHOULD BE: FOUNDATION - 50MM BEAM - 25MM COLUMN - 40MM SLAB - 15MM

SCHEDULE OF DOORS & WINDOWS

| S.L. NO | TYPE | B | H | SILL LEV. |
|---------|------|-------|-------|-----------|
| 1 | D | 4'-0" | 7'-0" | - |
| 2 | D1 | 3'-6" | 7'-0" | - |
| 3 | D2 | 3'-0" | 7'-0" | - |
| 4 | D3 | 2'-6" | 7'-0" | 2'-6" |
| 4 | W | 5'-0" | 4'-6" | 2'-6" |
| 6 | W2 | 4'-0" | 4'-6" | 3'-0" |
| 4 | V | 2'-0" | 2'-0" | 3'-0" |

AGENCY NAME :-
Proposed Building of CFC-2 at Malasah(Coir Yarn making, mat making, Handicrafts) of Satyabadi Block, Dist-Puri.

SHEET TITLE :-
PLAN & ELEVATION

PROJECT NO
01

Project Management Consultant
D:\Users\ashish\Documents\ABEE copy.doc

CONSULTANT
MADHUSMITA DESIGN & ENGINEERS STUDIO
2306, NEAR NAGESWAR TEMPLE, NAGESWAR
TANGI, RAVI TALKIES, BHUBANESWAR-751002
PH-0674-2434347(O), 9861092612(M),
email - mdesstudio12@gmail.com , pmsahu11@gmail.com
PAN-ABBFM0485D, GSTIN-21ABBFM0485D1ZU

STRUCTURAL ENGINEER
Er. PREM PRAKASH SAHU c. Eng. M.ASCE
M. Tech. (Structural Engg)
PGDM (Infra. Mang.), PG Dip. Urban Plan. & Dev.
Member Indian Building Congress M No. - (0M-8001)

DESIGNED BY
Er. PREM PRAKASH SAHU

DRAWN BY
Er. ASIT KUMAR SETHI

TECHNICAL DATA :-
AREA :-
GROUND FLOOR AREA - 1000 Sqft.
TOTAL AREA - 1000 Sqft.

PROJECT TITLE :-
Proposed Building of CFC-2 at Malasah(Coir Yarn making, mat making, Handicrafts) of Satyabadi Block, Dist-Puri.

| DATE | SCALE | SHEET NO. |
|------|--------------|-----------|
| | 1/8" = 1'-0" | 1 |

Details estimate for Construction of Building of CFC-2 at Malasahi(Coir Yarn making, mat making, Handicrafts) of Satyabadi Block, Dist-Puri.

(GROUND FLOOR)

(Center line Method)

| | | | | | | |
|---------------------|---|---|------------|---|--------|------|
| horizontal line | 2 | x | 49.16 Rft. | = | 98.32 | Rft. |
| Vertical line | 5 | x | 19.16 Rft. | = | 95.80 | Rft. |
| | | | | = | 194.12 | Rft. |
| Open foundation | 2 | x | 49.16 Rft. | = | 98.32 | Rft. |
| | 2 | x | 19.16 Rft. | = | 38.32 | Rft. |
| | | | | = | 136.64 | Rft. |

1 Foundation excavation in hard soil including leveling and dressing the bed and sides depositing muck within initial lead and lift etc. complete. as per direction of Engg.-in-Charge.

| | | | | | | |
|-------------------------|----|--------------|------------|------------|---------|------|
| Open foundation | 1 | 136.64 ft. x | 2.00 ft. x | 2.00 ft = | 546.56 | Cft. |
| Footing F1-C1 | 10 | 4.00 ft. x | 4.00 ft. x | 4.00 ft = | 640.00 | " |
| Step | 2 | 6.00 ft. x | 3.00 ft. x | 1.00 ft = | 36.00 | " |
| <u>Deduction</u> | | | | | | |
| Footing F1-C1 | 10 | 4.00 ft. x | 2.00 ft. x | 2.00 ft = | -160.00 | Cft. |
| | | | | Total = | 1062.56 | Cft. |
| | | | | Net Total= | 1062.56 | Cft. |

30.070 Cum.

2 Filling foundation and plinth with sand and well watered and rammed including cost, conveyance and royalty etc complete as per direction of Engg.-in-Charge.

| | | | | | | |
|-------------------------|----|--------------|------------|-------------------|--------|------|
| Open foundation | 1 | 136.64 ft. x | 2.00 ft. x | 0.50 ft = | 136.64 | Cft. |
| Step | 2 | 6.00 ft. x | 3.00 ft. x | 0.50 ft = | 18.00 | Cft. |
| | | | | Total = | 154.64 | Cft. |
| <u>Deduction</u> | | | | | | |
| C-1 | 10 | 1.25 ft. x | 0.83 ft. x | 3.00 ft = | -31.13 | Cft. |
| Tie beam | 3 | 18.33 ft. x | 0.83 ft. x | 0.66 ft = | -30.12 | Cft. |
| | | | | Total deduction = | -61.25 | Cft. |

Add for Plinth

| | | | | | | |
|----------------|---|-------------|-------------|-------------|---------|------|
| Inside factory | 1 | 48.33 ft. x | 18.33 ft. x | 1.66 ft = | 1470.57 | Cft. |
| | | | | Total = | 1470.57 | Cft. |
| | | | | Net Total = | 1563.96 | Cft. |

44.260 Cum.

3 Cement concrete (1:3:6)with 40mm size CBHG metal including cost, conveyance and royalty etc. complete as per direction of Engg.-in-Charge.

| | | | | | | |
|-----------------|---|--------------|------------|-----------|--------|------|
| Open foundation | 1 | 136.64 ft. x | 2.00 ft. x | 0.50 ft = | 136.64 | Cft. |
| Step | 2 | 6.00 ft. x | 3.00 ft. x | 0.50 ft = | 18.00 | Cft. |

Total = 154.64 Cft.

Deduction

| | | | | | | |
|----------|----|-------------|------------|-----------|--------|------|
| C1 | 10 | 1.25 ft. x | 0.83 ft. x | 0.50 ft = | -5.19 | Cft. |
| Tie beam | 3 | 18.33 ft. x | 0.83 ft. x | 0.33 ft = | -15.06 | Cft. |

Total = -20.25 Cft.

Add for Flooring

| | | | | | | |
|----------------|---|-------------|-------------|-----------|--------|------|
| Inside factory | 1 | 48.33 ft. x | 18.33 ft. x | 0.33 ft = | 292.34 | Cft. |
|----------------|---|-------------|-------------|-----------|--------|------|

Total = 292.34 Cft.

Net Total = 426.73 Cft.

12.070 Cum.

4 Fly Ash Brick masonry in c.m. 1:6 in F & P including cost, conveyance and royalty of materials curing etc. complete. as per the direction of the Engineer-in-charge.

| | | | | | | |
|-------------|---|--------------|------------|-----------|--------|------|
| 1st Footing | 1 | 136.64 ft. x | 1.66 ft. x | 0.83 ft = | 188.26 | Cft. |
| 2nd Footing | 1 | 136.64 ft. x | 1.25 ft. x | 1.16 ft = | 198.12 | Cft. |

Steps

| | | | | | | |
|-------|---|------------|------------|-----------|-------|------|
| Steps | 2 | 6.00 ft. x | 3.00 ft. x | 0.66 ft = | 23.76 | Cft. |
| " | 2 | 6.00 ft. x | 2.00 ft. x | 0.66 ft = | 15.84 | Cft. |
| " | 2 | 6.00 ft. x | 1.00 ft. x | 0.66 ft = | 7.92 | Cft. |

Total = 433.90 Cft.

Deduction :-

| | | | | | | |
|----------------|----|------------|------------|-----------|--------|------|
| Column Portion | | | | | | |
| C-1 | 10 | 0.83 ft. x | 0.83 ft. x | 1.66 ft = | -11.44 | Cft. |

-11.44 Cft.

Net Total= 422.46 Cft.

11.950 Cum.

5 1st class Fly Ash brick masonry work in superstructure thoroughly soaked in water, with cement mortar (1:6) including scaffoldings ,racking out joints, curing etc complete as per specification/drawing and as per the direction of the Engineer-in-charge.

| | | | | | | |
|------------------|---|--------------|------------|-----------|---------|------|
| 10 " wall | 1 | 136.64 ft. x | 0.83 ft. x | 9.00 ft = | 1020.70 | Cft. |
|------------------|---|--------------|------------|-----------|---------|------|

Total = 1020.70 Cft.

Deduction (-)

| | | | | | | |
|------------|----|------------|------------|-----------|--------|------|
| Column C-1 | 10 | 0.83 ft. x | 0.83 ft. x | 9.00 ft = | -62.00 | Cft. |
|------------|----|------------|------------|-----------|--------|------|

Door

| | | | | | | |
|---|---|------------|------------|-----------|--------|------|
| D | 2 | 4.00 ft. x | 0.83 ft. x | 7.00 ft = | -46.48 | Cft. |
|---|---|------------|------------|-----------|--------|------|

| | | | | | | | |
|-----------------|---|--------------|------------|-----------|---------|------|--------------------|
| W | 6 | 5.00 ft. x | 0.83 ft. x | 4.50 ft = | -112.05 | Cft. | |
| Lintel | | | | | | | |
| 10" wall | 1 | 136.64 ft. x | 0.83 ft. x | 0.50 ft = | -56.71 | Cft. | |
| | | | | Total = | -277.24 | Cft. | |
| | | | | Net | 743.46 | Cft. | 21.040 Cum. |

6 Providing and Laying reinforcement Cement concrete (M-20) with 20 mm and down graded chips including cost all materials,labours,T & P,curing etc complete (excluding the cost of reinforcement & Centering, shuttering) as per direction of Engineer-in-charge.

Ground floor

(i) Column Base

| | | | | | | | |
|---------------|----|------------|------------|-----------|--------|------|-------------------|
| Footing F1-C1 | 10 | 4.00 ft. x | 4.00 ft. x | 1.00 ft = | 160.00 | Cft. | |
| " | 10 | 1.25 ft. x | 0.83 ft. x | 3.00 ft = | 31.12 | Cft. | |
| | | | | Total= | 191.12 | Cft. | 5.400 Cum. |

(ii) Plinth Beam

| | | | | | | | |
|------------|---|-------------|------------|-----------|--------|------|-------------------|
| Horizontal | 2 | 49.16 ft. x | 0.83 ft. x | 1.00 ft = | 81.60 | Cft. | |
| Vertical | 5 | 19.16 ft. x | 0.83 ft. x | 1.00 ft = | 79.51 | Cft. | |
| | | | | | 161.11 | Cft. | 4.550 Cum. |

(iii) Column & Beam

| | | | | | | | |
|----------------------|----|-------------|------------|-----------|--------|------|-------------------|
| C-1 | 10 | 1.25 ft. x | 0.83 ft. x | 9.00 ft = | 93.37 | Cft. | |
| Deduction : - | | | | | | | |
| C-1 | 10 | 0.83 ft. x | 0.83 ft. x | 0.50 ft = | -3.44 | Cft. | |
| Roof Beam | | | | | | | |
| Horizontal | 2 | 49.16 ft. x | 0.83 ft. x | 1.00 ft = | 81.60 | Cft. | |
| Vertical | 5 | 19.16 ft. x | 0.83 ft. x | 1.00 ft = | 79.51 | Cft. | |
| | | | | Total = | 251.04 | Cft. | 7.100 Cum. |

(iv) 65mm avg. Chajja & windows seal

| | | | | | | | |
|---|---|-----|------------|-----------|-------|------|-------------------|
| W | 6 | 2 x | 5.50 ft. x | 1.00 ft = | 66.00 | Sft. | |
| | | | | | 66.00 | Sft. | 6.130 Sqm. |

(vi) Roof Slab

| | | | | | | | |
|-----------|---|-------------|-------------|------------|--------|------|--------------------|
| Roof Slab | 1 | 50.00 ft. x | 20.00 ft. x | 0.41 ft = | 410.00 | Cft. | |
| | | | | Net Total= | 410.00 | Cft. | 11.600 Cum. |

(vii) Lintel

| | | | | | | | |
|-----------------|---|--------------|------------|-----------|-------|------|-------------------|
| 10" wall | 1 | 136.64 ft. x | 0.83 ft. x | 0.50 ft = | 56.71 | Cft. | |
| | | | | Total = | 56.71 | Cft. | 1.600 Cum. |

7 Supplying, fitting and placing uncoated HYSD bar reinforcement complete in proper position including cost of binding wire 18 to 20 gauge as per direction of Engg.-in-Charge.

| | | | | | |
|---------------------|---------------|--------|--------------|-----|--------------------|
| (i) Column Base | 5.400 | #1.0 | 5.40 | qtl | |
| | | Qt/Cum | | | |
| (ii) Tie Beam | 4.550 | # 1.20 | 5.46 | qtl | |
| | | Qt/Cum | | | |
| (iii) Column & Beam | 7.100 | # 1.76 | 12.50 | qtl | |
| | | Qt/Cum | | | |
| (iv) Chajja | 0.398 | #0.50 | 0.20 | qtl | |
| | | Qt/Cum | | | |
| (v) Roof Slab | 11.600 | #0.90 | 10.44 | qtl | |
| | | Qt/Cum | | | |
| (vi) Lintel | 1.600 | #1.2 | 1.92 | qtl | |
| | | Qt/Cum | | | |
| | <u>30.648</u> | Cft. | <u>35.92</u> | qtl | 35.915 Qtl. |
| Avg steel 1.17% | | | | | |

8 12mm cement plaster in cement mortar (1:6) including necessary scaffolding curing etc. as per direction of Engg.-in-Charge.

| | | | | | |
|---------------------|---|-------------|------------|----------------|---------------|
| Out side wall | | | | | |
| Front | 2 | 50.00 ft. x | 13.00 ft = | 1300.00 | Sft. |
| Side | 2 | 20.00 ft. x | 13.00 ft = | <u>520.00</u> | " |
| | | | Total = | <u>1820.00</u> | Sft. |
| <u>Deduction</u> | | | | | |
| W | 6 | 0.50 x | 5.00 ft. x | 4.50 ft = | -67.50 |
| D | 2 | 0.50 x | 5.00 ft. x | 7.00 ft = | <u>-35.00</u> |
| | | | | <u>-102.50</u> | Sft. |
| | | | Net | <u>1717.50</u> | Sft. |
| 159.570 Sqm. | | | | | |

9 16mm thick cement plaster in cement mortar (1:6) including necessary scaffolding curing etc. as per direction of Engg.-in-Charge.

| | | | | | |
|---------------------|-----|-------------|------------|----------------|--------------------|
| Inside | | | | | |
| Factory | 2 x | 48.33 ft. x | 10.00 ft = | 966.60 | Sft. |
| " | 2 x | 18.33 ft. x | 10.00 ft = | 366.60 | Sft. |
| Step | 4 x | 3.00 ft. x | 1.00 ft = | 12.00 | Sft. |
| | | | (Avg) | <u>1345.20</u> | Sft. |
| | | | Total = | <u>1345.20</u> | Sft. |
| <u>Deduction</u> | | | | | |
| D | 2 x | 0.50 x | 5.00 ft. x | 7.00 ft = | -35.00 Sft. |
| W | 6 x | 0.50 x | 5.00 ft. x | 4.50 ft = | <u>-67.50</u> Sft. |
| | | | Total (-) | <u>-102.50</u> | Sft |
| | | | Net = | <u>1242.70</u> | Sft |
| 115.460 Sqm. | | | | | |

10 6mm.thick cement plaster with C.M(1:4) to RCC surface including closed deep chipping and slury treatment etc. complete as per direction of Engg.-in-Charge.

| | | | | | | | |
|----------------|-----|-------------|----------------------|---------------------|---------------------|--|---------------------|
| inside | | | | | | | |
| Factory | 1 x | 48.33 ft. x | 18.33 ft = | 885.89 | Sft. | | |
| i Inside | | | | | | | |
| Beam side | 3 x | 18.33 ft. x | 2.00 ft = | 109.98 | Sft. | | |
| Column portion | | | | | | | |
| C-1 side | 6 x | 0.83 ft. x | 10.00 ft = | 49.80 | Sft. | | |
| | | | | A = | 1045.67 Sft. | | 97.150 Sqm. |
| ii outside | | | | | | | |
| Chajja | | | | | | | |
| W | 6 x | 4 x | 5.50 ft. x 1.00 ft = | 132.00 | Sft. | | |
| | | | | B = | 132.00 Sft. | | 12.260 Sqm. |
| | | | | Total (A+B)= | 1177.67 Sft. | | 109.410 Sqm. |

11 2.5cm. thick A.S.Flooring with C.C.1:2:4 using 12mm. size HBG crusher broken chips including punning,cost,conveyance and royalty of materials curing etc. complete as per direction of Engg-in-Charge .

| | | | | | | |
|---------|---|-------------|------------|----------------|--------------------|--------------------|
| Factory | 1 | 48.33 ft. x | 18.33 ft = | 885.89 | Sft. | |
| Step | 2 | 6.00 ft. x | 1.66 ft = | 0.00 | Sft. | |
| " | 2 | 3.00 ft. x | 1.66 ft = | 0.00 | Sft. | |
| " | 2 | 1.00 ft. x | 1.66 ft = | 0.00 | Sft. | |
| | | | | Total = | 885.89 Sft. | 82.300 Sqm. |

12 Cement washing two coats with cost of all labour & materials etc. complete as per direction of Engg-in-Charge .

| | | | |
|------------------------------|----------------|---------------|--------------------------|
| Same as 12 mm cement plaster | 8 = | 159.57 | Sqm. |
| Same as 16 mm cement plaster | 9 = | 115.46 | Sqm. |
| Same as 6 mm cement plaster | 10 = | 109.41 | Sqm. |
| | Total = | 384.44 | Sqm. 384.440 Sqm. |

13 Finishing walls with water proofing cement paint of aoroved shade on new work two coats to give an even shade excluding cost of paint etc. complete as per direction of Engg-in-Charge .

| | | | |
|---------------------|----------------|---------------|--------------------------|
| Same as cement wash | Total = | 384.44 | Sqm. 384.440 Sqm. |
|---------------------|----------------|---------------|--------------------------|

14 Supplying and fixing of steel M.S. grill with all fitting and fixtures including cost of cutting holes in the brick masonry and R.C.C. columns and making good to damage etc, as per direction of Engineer -in - charge.

| | | | | | |
|---|-----|------------|-----------|--------|------|
| D | 2 x | 4.00 ft. x | 7.00 ft = | 56.00 | Sft. |
| W | 6 x | 5.00 ft. x | 4.50 ft = | 135.00 | Sft. |

Total = 191.00 Sft.
3.5 Kg/sft =

668.500 Kg.

15 Eamel Painting two coats with enamel paint over one coat of primer of approved quality etc. complete as per direction of Engg-in-Charge .

| | | | | | | |
|---|-----|--------|------------|-----------|-------|------|
| D | 1 x | 0.50 x | 4.00 ft. x | 7.00 ft = | 14.00 | Sft. |
| W | 4 x | 0.50 x | 5.00 ft. x | 4.50 ft = | 45.00 | Sft. |

Total = 59.00 Sft.

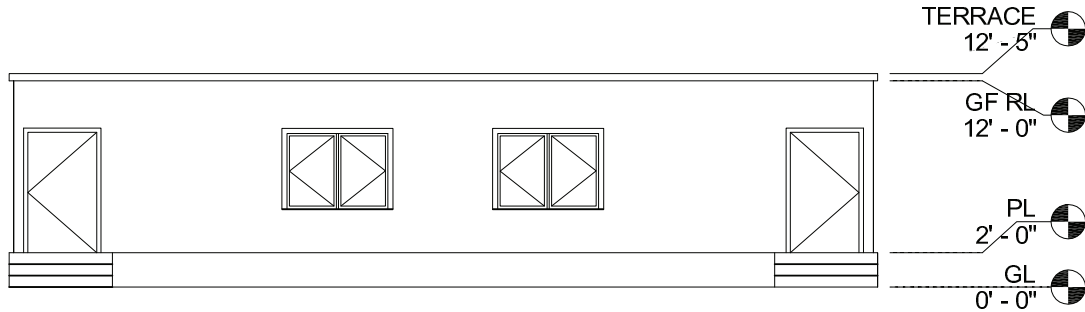
5.480 Sqm.

16 20mm. thick grading plaster in c.m. 1:4 over roof slab and chujja including cost conveyance and royalty of materials curing etc. complete as per direction of Engg-in-Charge .

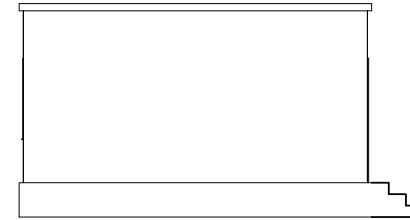
| | | | | | |
|------|-----|-------------|------------|---------|------|
| Roof | 1 x | 50.00 ft. x | 20.00 ft = | 1000.00 | Sft. |
|------|-----|-------------|------------|---------|------|

Total = 1000.00 Sft.

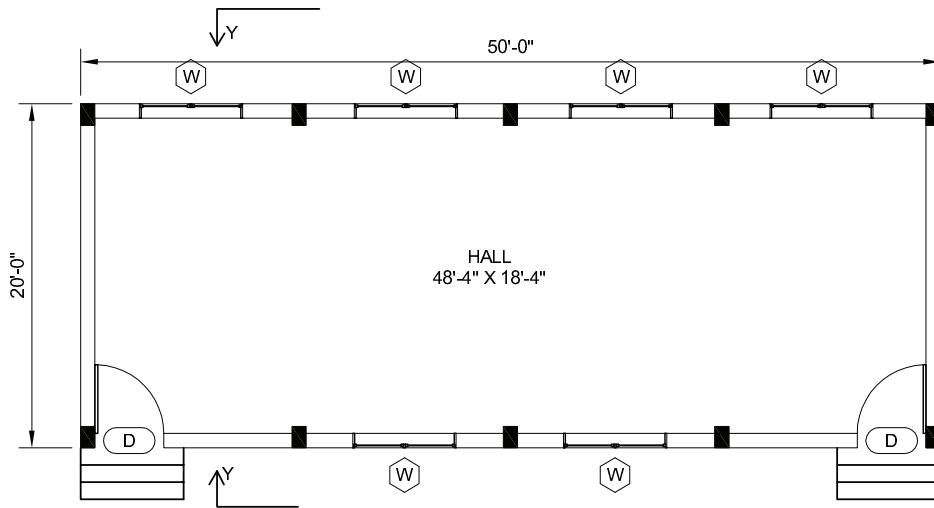
92.910 Sqm.



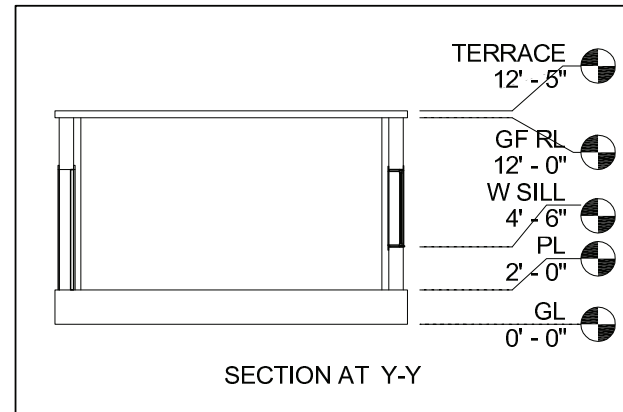
FRONT ELEVATION



LEFT SIDE ELEVATION



PLAN



SECTION AT Y-Y

- NOTE:
1. THE DRAWING SHALL BE READ AND THE DIMENSIONS MUST BE FOLLOWED.
 2. THIS DRAWING IS READ IN CONJUNCTION WITH RELEVANT ARCHITECTURAL, STRUCTURAL AND ALL SERVICES DRAWINGS.
 3. ANY DISCREPANCY, IF SO SHALL BE IMMEDIATELY BROUGHT TO THE NOTICE OF THE CONSULTANTS BEFORE START OF CONSTRUCTION WORK.
 4. ALL R.C.C WORK SHOULD BE M-15 GARDE CONCRETE.
 5. ALL R.C.C WORK SHOULD BE M-20 GARDE CONCRETE.
 6. GRADE OF STEEL: Fe-415 (H.Y.S.D BARS), LAP LENGTH AND ANCHORAGE LENGTH (Ld) TO BE PROVIDED 50D.
 7. CLEAR COVER TO REINFORCEMENT SHOULD BE: FOUNDATION - 50MM BEAM - 25MM COLUMN - 40MM SLAB - 15MM

SCHEDULE OF DOORS & WINDOWS

| S.L. NO | TYPE | B | H | SILL LEV. |
|---------|------|-------|-------|-----------|
| 1 | D | 4'-0" | 7'-0" | - |
| 2 | D1 | 3'-6" | 7'-0" | - |
| 3 | D2 | 3'-0" | 7'-0" | - |
| 4 | W | 2'-6" | 7'-0" | 2'-6" |
| 5 | W | 5'-0" | 4'-6" | 2'-6" |
| 6 | W2 | 4'-0" | 4'-6" | 3'-0" |
| 4 | V | 2'-0" | 2'-0" | 3'-0" |

AGENCY NAME :-
Proposed Building of CFC-3 at Aishanyapada(Coir Yarn making, mat making, Handicrafts) of Satyabadi Block, Dist-Puri.

SHEET TITLE :-
PLAN & ELEVATION

PROJECT NO

01

Project Management Consultant
D:\Users\ashu\Documents\A3E2 copy.doc & Consulting Engineer.

CONSULTANT
MADHUSMITA DESIGN & ENGINEERS STUDIO
2306, NEAR NAGESWAR TEMPLE, NAGESWAR
TANGI, RAVI TALKIES, BHUBANESWAR-751002
PH-0674-2434347(O), 9861092612(M),
email - mdesstudio12@gmail.com , pmsahu11@gmail.com
PAN-ABBFM0485D, GSTIN-21ABBFM0485D1ZU

STRUCTURAL ENGINEER
Er. PREM PRAKASH SAHU c. Eng. M.ASCE
M. Tech. (Structural Engg.)
PGDM (Infra. Mang.), PG Dip. Urban Plan. & Dev.
Member Indian Building Congress M No. - (0M-8001)

DESIGNED BY
Er. PREM PRAKASH SAHU

DRAWN BY
Er. ASIT KUMAR SETHI

TECHNICAL DATA :-
AREA :-
GROUND FLOOR AREA - 1000 Sqft.
TOTAL AREA - 1000 Sqft.

PROJECT TITLE :-
Proposed Building of CFC-3 at Aishanyapada(Coir Yarn making, mat making, Handicrafts) of Satyabadi Block, Dist-Puri.

| DATE | SCALE | SHEET NO. |
|------|--------------|-----------|
| | 1/8" = 1'-0" | 1 |

Details estimate for Construction of Building of CFC-3 at Aishanyapada(Coair Yarn making, matmaking, Handicrafts) of Satyabadi Block, Dist-Puri.

(GROUND FLOOR)

(Center line Method)

| | | | | | | |
|---------------------|---|---|------------|---|--------|------|
| horizontal line | 2 | x | 49.16 Rft. | = | 98.32 | Rft. |
| Vertical line | 5 | x | 19.16 Rft. | = | 95.80 | Rft. |
| | | | | | 194.12 | Rft. |
| Open foundation | 2 | x | 49.16 Rft. | = | 98.32 | Rft. |
| | 2 | x | 19.16 Rft. | = | 38.32 | Rft. |
| | | | | | 136.64 | Rft. |

1 Foundation excavation in hard soil including leveling and dressing the bed and sides depositing muck within initial lead and lift etc. complete. as per direction of Engg.-in-Charge.

| | | | | | | |
|-------------------------|----|--------------|------------|------------|---------|-------------------------|
| Open foundation | 1 | 136.64 ft. x | 2.00 ft. x | 2.00 ft = | 546.56 | Cft. |
| Footing F1-C1 | 10 | 4.00 ft. x | 4.00 ft. x | 4.00 ft = | 640.00 | " |
| Step | 2 | 6.00 ft. x | 3.00 ft. x | 1.00 ft = | 36.00 | " |
| <u>Deduction</u> | | | | | | |
| Footing F1-C1 | 10 | 4.00 ft. x | 2.00 ft. x | 2.00 ft = | -160.00 | Cft. |
| | | | | Total = | 1062.56 | Cft. |
| | | | | Net Total= | 1062.56 | Cft. 30.070 Cum. |

2 Filling foundation and plinth with sand and well watered and rammed including cost, conveyance and royalty etc complete as per direction of Engg.-in-Charge.

| | | | | | | |
|------------------------------|----|--------------|-------------|-------------------|---------|-------------------------|
| Open foundation | 1 | 136.64 ft. x | 2.00 ft. x | 0.50 ft = | 136.64 | Cft. |
| Step | 2 | 6.00 ft. x | 3.00 ft. x | 0.50 ft = | 18.00 | Cft. |
| | | | | Total = | 154.64 | Cft. |
| <u>Deduction</u> | | | | | | |
| C-1 | 10 | 1.25 ft. x | 0.83 ft. x | 3.00 ft = | -31.13 | Cft. |
| Tie beam | 3 | 18.33 ft. x | 0.83 ft. x | 0.66 ft = | -30.12 | Cft. |
| | | | | Total deduction = | -61.25 | Cft. |
| <u>Add for Plinth</u> | | | | | | |
| Inside factory | 1 | 48.33 ft. x | 18.33 ft. x | 1.66 ft = | 1470.57 | Cft. |
| | | | | Total = | 1470.57 | Cft. |
| | | | | Net Total = | 1563.96 | Cft. 44.260 Cum. |

3 Cement concrete (1:3:6)with 40mm size CBHG metal including cost, conveyance and royalty etc. complete as per direction of Engg.-in-Charge.

| | | | | | | |
|-----------------|---|--------------|------------|-----------|--------|------|
| Open foundation | 1 | 136.64 ft. x | 2.00 ft. x | 0.50 ft = | 136.64 | Cft. |
| Step | 2 | 6.00 ft. x | 3.00 ft. x | 0.50 ft = | 18.00 | Cft. |

Total = 154.64 Cft.

Deduction

| | | | | | | |
|----------|----|-------------|------------|-----------|--------|------|
| C1 | 10 | 1.25 ft. x | 0.83 ft. x | 0.50 ft = | -5.19 | Cft. |
| Tie beam | 3 | 18.33 ft. x | 0.83 ft. x | 0.33 ft = | -15.06 | Cft. |

Total = -20.25 Cft.

Add for Flooring

| | | | | | | |
|----------------|---|-------------|-------------|-----------|--------|------|
| Inside factory | 1 | 48.33 ft. x | 18.33 ft. x | 0.33 ft = | 292.34 | Cft. |
|----------------|---|-------------|-------------|-----------|--------|------|

Total = 292.34 Cft.

Net Total = 426.73 Cft.

12.070 Cum.

4 Fly Ash Brick masonry in c.m. 1:6 in F & P including cost, conveyance and royalty of materials curing etc. complete. as per the direction of the Engineer-in-charge.

| | | | | | | |
|-------------|---|--------------|------------|-----------|--------|------|
| 1st Footing | 1 | 136.64 ft. x | 1.66 ft. x | 0.83 ft = | 188.26 | Cft. |
| 2nd Footing | 1 | 136.64 ft. x | 1.25 ft. x | 1.16 ft = | 198.12 | Cft. |

Steps

| | | | | | | |
|-------|---|------------|------------|-----------|-------|------|
| Steps | 2 | 6.00 ft. x | 3.00 ft. x | 0.66 ft = | 23.76 | Cft. |
| " | 2 | 6.00 ft. x | 2.00 ft. x | 0.66 ft = | 15.84 | Cft. |
| " | 2 | 6.00 ft. x | 1.00 ft. x | 0.66 ft = | 7.92 | Cft. |

Total = 433.90 Cft.

Deduction :-

| | | | | | | |
|----------------|----|------------|------------|-----------|--------|------|
| Column Portion | | | | | | |
| C-1 | 10 | 0.83 ft. x | 0.83 ft. x | 1.66 ft = | -11.44 | Cft. |

-11.44 Cft.

Net Total= 422.46 Cft.

11.950 Cum.

5 1st class Fly Ash brick masonry work in superstructure thoroughly soaked in water, with cement mortar (1:6) including scaffoldings ,racking out joints, curing etc complete as per specification/drawing and as per the direction of the Engineer-in-charge.

| | | | | | | |
|------------------|---|--------------|------------|-----------|---------|------|
| 10 " wall | 1 | 136.64 ft. x | 0.83 ft. x | 9.00 ft = | 1020.70 | Cft. |
|------------------|---|--------------|------------|-----------|---------|------|

Total = 1020.70 Cft.

Deduction (-)

| | | | | | | |
|------------|----|------------|------------|-----------|--------|------|
| Column C-1 | 10 | 0.83 ft. x | 0.83 ft. x | 9.00 ft = | -62.00 | Cft. |
|------------|----|------------|------------|-----------|--------|------|

Door

| | | | | | | |
|---|---|------------|------------|-----------|--------|------|
| D | 2 | 4.00 ft. x | 0.83 ft. x | 7.00 ft = | -46.48 | Cft. |
|---|---|------------|------------|-----------|--------|------|

| | | | | | | | |
|-----------------|---|--------------|------------|-----------|---------|------|--------------------|
| W | 6 | 5.00 ft. x | 0.83 ft. x | 4.50 ft = | -112.05 | Cft. | |
| Lintel | | | | | | | |
| 10" wall | 1 | 136.64 ft. x | 0.83 ft. x | 0.50 ft = | -56.71 | Cft. | |
| | | | | Total = | -277.24 | Cft. | |
| | | | | Net | 743.46 | Cft. | 21.040 Cum. |

6 Providing and Laying reinforcement Cement concrete (M-20) with 20 mm and down graded chips including cost all materials,labours,T & P,curing etc complete (excluding the cost of reinforcement & Centering, shuttering) as per direction of Engineer-in-charge.

Ground floor

(i) Column Base

| | | | | | | | |
|---------------|----|------------|------------|-----------|--------|------|-------------------|
| Footing F1-C1 | 10 | 4.00 ft. x | 4.00 ft. x | 1.00 ft = | 160.00 | Cft. | |
| " | 10 | 1.25 ft. x | 0.83 ft. x | 3.00 ft = | 31.12 | Cft. | |
| | | | | Total= | 191.12 | Cft. | 5.400 Cum. |

(ii) Plinth Beam

| | | | | | | | |
|------------|---|-------------|------------|-----------|--------|------|-------------------|
| Horizontal | 2 | 49.16 ft. x | 0.83 ft. x | 1.00 ft = | 81.60 | Cft. | |
| Vertical | 5 | 19.16 ft. x | 0.83 ft. x | 1.00 ft = | 79.51 | Cft. | |
| | | | | | 161.11 | Cft. | 4.550 Cum. |

(iii) Column & Beam

| | | | | | | | |
|----------------------|----|-------------|------------|-----------|--------|------|-------------------|
| C-1 | 10 | 1.25 ft. x | 0.83 ft. x | 9.00 ft = | 93.37 | Cft. | |
| Deduction : - | | | | | | | |
| C-1 | 10 | 0.83 ft. x | 0.83 ft. x | 0.50 ft = | -3.44 | Cft. | |
| Roof Beam | | | | | | | |
| Horizontal | 2 | 49.16 ft. x | 0.83 ft. x | 1.00 ft = | 81.60 | Cft. | |
| Vertical | 5 | 19.16 ft. x | 0.83 ft. x | 1.00 ft = | 79.51 | Cft. | |
| | | | | Total = | 251.04 | Cft. | 7.100 Cum. |

(iv) 65mm avg. Chajja & windows seal

| | | | | | | | |
|---|---|-----|------------|-----------|-------|------|-------------------|
| W | 6 | 2 x | 5.50 ft. x | 1.00 ft = | 66.00 | Sft. | |
| | | | | | 66.00 | Sft. | 6.130 Sqm. |

(vi) Roof Slab

| | | | | | | | |
|-----------|---|-------------|-------------|------------|--------|------|--------------------|
| Roof Slab | 1 | 50.00 ft. x | 20.00 ft. x | 0.41 ft = | 410.00 | Cft. | |
| | | | | Net Total= | 410.00 | Cft. | 11.600 Cum. |

(vii) Lintel

| | | | | | | | |
|-----------------|---|--------------|------------|-----------|-------|------|-------------------|
| 10" wall | 1 | 136.64 ft. x | 0.83 ft. x | 0.50 ft = | 56.71 | Cft. | |
| | | | | Total = | 56.71 | Cft. | 1.600 Cum. |

7 Supplying, fitting and placing uncoated HYSD bar reinforcement complete in proper position including cost of binding wire 18 to 20 gauge as per direction of Engg.-in-Charge.

| | | | | | |
|---------------------|---------------|--------|--------------|-----|--------------------|
| (i) Column Base | 5.400 | #1.0 | 5.40 | qtl | |
| | | Qt/Cum | | | |
| (ii) Tie Beam | 4.550 | # 1.20 | 5.46 | qtl | |
| | | Qt/Cum | | | |
| (iii) Column & Beam | 7.100 | # 1.76 | 12.50 | qtl | |
| | | Qt/Cum | | | |
| (iv) Chajja | 0.398 | #0.50 | 0.20 | qtl | |
| | | Qt/Cum | | | |
| (v) Roof Slab | 11.600 | #0.90 | 10.44 | qtl | |
| | | Qt/Cum | | | |
| (vi) Lintel | 1.600 | #1.2 | 1.92 | qtl | |
| | | Qt/Cum | | | |
| | <u>30.648</u> | Cft. | <u>35.92</u> | qtl | 35.915 Qtl. |
| Avg steel 1.17% | | | | | |

8 12mm cement plaster in cement mortar (1:6) including necessary scaffolding curing etc. as per direction of Engg.-in-Charge.

| | | | | | |
|------------------|---|-------------|------------|----------------|---------------------|
| Out side wall | | | | | |
| Front | 2 | 50.00 ft. x | 13.00 ft = | 1300.00 | Sft. |
| Side | 2 | 20.00 ft. x | 13.00 ft = | <u>520.00</u> | " |
| | | | Total = | <u>1820.00</u> | Sft. |
| <u>Deduction</u> | | | | | |
| W | 6 | 0.50 x | 5.00 ft. x | 4.50 ft = | -67.50 |
| D | 2 | 0.50 x | 5.00 ft. x | 7.00 ft = | <u>-35.00</u> |
| | | | | | <u>-102.50</u> |
| | | | Net | <u>1717.50</u> | Sft. |
| | | | | | 159.570 Sqm. |

9 16mm thick cement plaster in cement mortar (1:6) including necessary scaffolding curing etc. as per direction of Engg.-in-Charge.

| | | | | | |
|------------------|-----|-------------|------------|----------------|---------------------|
| Inside | | | | | |
| Factory | 2 x | 48.33 ft. x | 10.00 ft = | 966.60 | Sft. |
| " | 2 x | 18.33 ft. x | 10.00 ft = | 366.60 | Sft. |
| Step | 4 x | 3.00 ft. x | 1.00 ft = | 12.00 | Sft. |
| | | | (Avg) | | |
| | | | Total = | <u>1345.20</u> | Sft. |
| <u>Deduction</u> | | | | | |
| D | 2 x | 0.50 x | 5.00 ft. x | 7.00 ft = | -35.00 Sft. |
| W | 6 x | 0.50 x | 5.00 ft. x | 4.50 ft = | <u>-67.50</u> Sft. |
| | | | Total (-) | <u>-102.50</u> | Sft |
| | | | Net = | <u>1242.70</u> | Sft |
| | | | | | 115.460 Sqm. |

10 6mm.thick cement plaster with C.M(1:4) to RCC surface including closed deep chipping and slury treatment etc. complete as per direction of Engg.-in-Charge.

| | | | | | | | |
|----------------|-----|-------------|----------------------|---------------------|---------------------|--|---------------------|
| inside | | | | | | | |
| Factory | 1 x | 48.33 ft. x | 18.33 ft = | 885.89 | Sft. | | |
| i Inside | | | | | | | |
| Beam side | 3 x | 18.33 ft. x | 2.00 ft = | 109.98 | Sft. | | |
| Column portion | | | | | | | |
| C-1 side | 6 x | 0.83 ft. x | 10.00 ft = | 49.80 | Sft. | | |
| | | | | A = | 1045.67 Sft. | | 97.150 Sqm. |
| ii outside | | | | | | | |
| Chajja | | | | | | | |
| W | 6 x | 4 x | 5.50 ft. x 1.00 ft = | 132.00 | Sft. | | |
| | | | | B = | 132.00 Sft. | | 12.260 Sqm. |
| | | | | Total (A+B)= | 1177.67 Sft. | | 109.410 Sqm. |

11 2.5cm. thick A.S.Flooring with C.C.1:2:4 using 12mm. size HBG crusher broken chips including punning,cost,conveyance and royalty of materials curing etc. complete as per direction of Engg-in-Charge .

| | | | | | | | |
|---------|---|-------------|------------|----------------|--------------------|--|--------------------|
| Factory | 1 | 48.33 ft. x | 18.33 ft = | 885.89 | Sft. | | |
| Step | 2 | 6.00 ft. x | 1.66 ft = | 0.00 | Sft. | | |
| " | 2 | 3.00 ft. x | 1.66 ft = | 0.00 | Sft. | | |
| " | 2 | 1.00 ft. x | 1.66 ft = | 0.00 | Sft. | | |
| | | | | Total = | 885.89 Sft. | | 82.300 Sqm. |

12 Cement washing two coats with cost of all labour & materials etc. complete as per direction of Engg-in-Charge .

| | | | | | |
|------------------------------|----------------|---------------|-------------|--|---------------------|
| Same as 12 mm cement plaster | 8 = | 159.57 | Sqm. | | |
| Same as 16 mm cement plaster | 9 = | 115.46 | Sqm. | | |
| Same as 6 mm cement plaster | 10 = | 109.41 | Sqm. | | |
| | Total = | 384.44 | Sqm. | | 384.440 Sqm. |

13 Finishing walls with water proofing cement paint of aoroved shade on new work two coats to give an even shade excluding cost of paint etc. complete as per direction of Engg-in-Charge .

| | | | | | |
|---------------------|----------------|---------------|-------------|--|---------------------|
| Same as cement wash | Total = | 384.44 | Sqm. | | 384.440 Sqm. |
|---------------------|----------------|---------------|-------------|--|---------------------|

14 Supplying and fixing of steel M.S. grill with all fitting and fixtures including cost of cutting holes in the brick masonry and R.C.C. columns and making good to damage etc, as per direction of Engineer -in - charge.

| | | | | | |
|---|-----|------------|-----------|--------|------|
| D | 2 x | 4.00 ft. x | 7.00 ft = | 56.00 | Sft. |
| W | 6 x | 5.00 ft. x | 4.50 ft = | 135.00 | Sft. |

Total = 191.00 Sft.
3.5 Kg/sft =

668.500 Kg.

15 Eamel Painting two coats with enamel paint over one coat of primer of approved quality etc. complete as per direction of Engg-in-Charge .

| | | | | | | |
|---|-----|--------|------------|-----------|-------|------|
| D | 1 x | 0.50 x | 4.00 ft. x | 7.00 ft = | 14.00 | Sft. |
| W | 4 x | 0.50 x | 5.00 ft. x | 4.50 ft = | 45.00 | Sft. |

Total = 59.00 Sft.

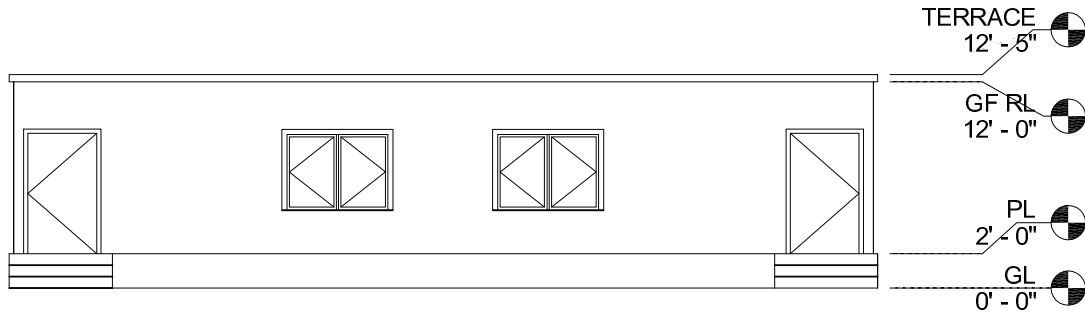
5.480 Sqm.

16 20mm. thick grading plaster in c.m. 1:4 over roof slab and chujja including cost conveyance and royalty of materials curing etc. complete as per direction of Engg-in-Charge .

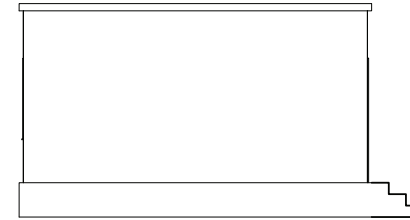
| | | | | | |
|------|-----|-------------|------------|---------|------|
| Roof | 1 x | 50.00 ft. x | 20.00 ft = | 1000.00 | Sft. |
|------|-----|-------------|------------|---------|------|

Total = 1000.00 Sft.

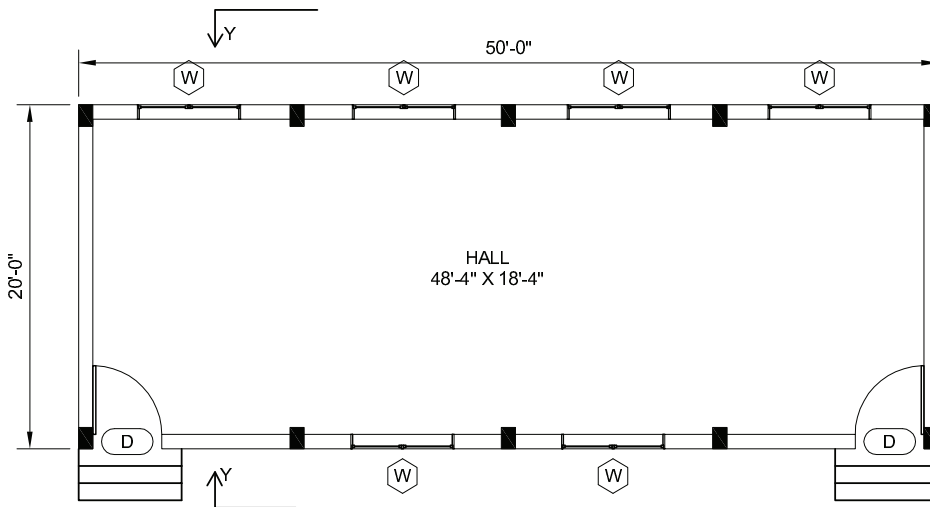
92.910 Sqm.



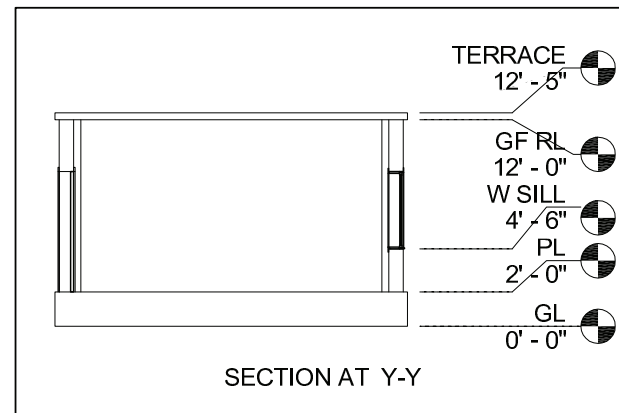
FRONT ELEVATION



LEFT SIDE ELEVATION



PLAN



SECTION AT Y-Y

- NOTE:
1. THE DRAWING SHALL BE READ AND THE DIMENSIONS MUST BE FOLLOWED.
 2. THIS DRAWING IS READ IN CONJUNCTION WITH RELEVANT ARCHITECTURAL, STRUCTURAL AND ALL SERVICES DRAWINGS.
 3. ANY DISCREPANCY, IF SO SHALL BE IMMEDIATELY BROUGHT TO THE NOTICE OF THE CONSULTANTS BEFORE START OF CONSTRUCTION WORK.
 4. ALL P.C.C WORK SHOULD BE M-15 GARDE CONCRETE.
 5. ALL R.C.C WORK SHOULD BE M-20 GARDE CONCRETE.
 6. GRADE OF STEEL: F_y=415 (H.Y.S.D BARS), LAP LENGTH AND ANCHORAGE LENGTH (L_d) TO BE PROVIDED 50D.
 7. CLEAR COVER TO REINFORCEMENT SHOULD BE: FOUNDATION - 50MM, BEAM - 25MM, SLAB - 15MM.

SCHEDULE OF DOORS & WINDOWS

| S.L. NO | TYPE | B | H | SILL LEV. |
|---------|------|-------|-------|-----------|
| 1 | D | 4'-0" | 7'-0" | - |
| 2 | D1 | 3'-6" | 7'-0" | - |
| 3 | D2 | 3'-0" | 7'-0" | - |
| 4 | W | 2'-6" | 7'-0" | 2'-6" |
| 5 | W | 5'-0" | 4'-6" | 2'-6" |
| 6 | W2 | 4'-0" | 4'-6" | 3'-0" |
| 4 | V | 2'-0" | 2'-0" | 3'-0" |

AGENCY NAME :-
Proposed Building of CFC-4 at Mahamayasahi(Coir Yarn making, mat making, Handicrafts) of Satyabadi Block, Dist-Puri.

SHEET TITLE :-
PLAN & ELEVATION

PROJECT NO
01

Project Management Consultant
D:\Users\ashish\Documents\ABEE copy.doc & Consulting Engineer.

CONSULTANT
MADHUSMITA DESIGN & ENGINEERS STUDIO
2306, NEAR NAGESWAR TEMPLE, NAGESWAR TANGI, RAVI TALKIES, BHUBANESWAR-751002
PH-0674-2434347(O), 9861092612(M),
email - mdesstudio12@gmail.com , pmsahu11@gmail.com
PAN-ABBFM0485D, GSTIN-21ABBFM0485D1ZU

STRUCTURAL ENGINEER
Er. PREM PRAKASH SAHU c. Eng. M.ASCE
M. Tech. (Structural Engg)
PGDM (Infra. Mang.), PG Dip. Urban Plan. & Dev.
Member Indian Building Congress M No. - (0M-8001)

DESIGNED BY
Er. PREM PRAKASH SAHU

DRAWN BY
Er. ASIT KUMAR SETHI

TECHNICAL DATA :-
AREA :-
GROUND FLOOR AREA - 1000 Sqft.

TOTAL AREA - 1000 Sqft.

PROJECT TITLE :-
Proposed Building of CFC-4 at Mahamayasahi(Coir Yarn making, mat making, Handicrafts) of Satyabadi Block, Dist-Puri.

| DATE | SCALE | SHEET NO. |
|------|--------------|-----------|
| | 1/8" = 1'-0" | 1 |

Details estimate for Construction of Building of CFC-4 at Mahamayasahi(Coair Yarn making, matmaking, Handicrafts) of Satyabadi Block, Dist-Puri.

(GROUND FLOOR)

(Center line Method)

| | | | | | | |
|-----------------|---|---|------------|---|--------|------|
| horizontal line | 2 | x | 49.16 Rft. | = | 98.32 | Rft. |
| Vertical line | 5 | x | 19.16 Rft. | = | 95.80 | Rft. |
| | | | | | 194.12 | Rft. |
| | | | | | | |
| Open foundation | 2 | x | 49.16 Rft. | = | 98.32 | Rft. |
| | 2 | x | 19.16 Rft. | = | 38.32 | Rft. |
| | | | | | 136.64 | Rft. |

1 Foundation excavation in hard soil including leveling and dressing the bed and sides depositing muck within initial lead and lift etc. complete. as per direction of Engg.-in-Charge.

| | | | | | | |
|-------------------------|----|--------------|------------|-----------|------------|---------------------------------|
| Open foundation | 1 | 136.64 ft. x | 2.00 ft. x | 2.00 ft = | 546.56 | Cft. |
| Footing F1-C1 | 10 | 4.00 ft. x | 4.00 ft. x | 4.00 ft = | 640.00 | " |
| Step | 2 | 6.00 ft. x | 3.00 ft. x | 1.00 ft = | 36.00 | " |
| <u>Deduction</u> | | | | | | |
| Footing F1-C1 | 10 | 4.00 ft. x | 2.00 ft. x | 2.00 ft = | -160.00 | Cft. |
| | | | | | Total = | 1062.56 Cft. |
| | | | | | Net Total= | 1062.56 Cft. 30.070 Cum. |

2 Filling foundation and plinth with sand and well watered and rammed including cost, conveyance and royalty etc complete as per direction of Engg.-in-Charge.

| | | | | | | |
|------------------------------|----|--------------|-------------|-----------|-------------------|---------------------------------|
| Open foundation | 1 | 136.64 ft. x | 2.00 ft. x | 0.50 ft = | 136.64 | Cft. |
| Step | 2 | 6.00 ft. x | 3.00 ft. x | 0.50 ft = | 18.00 | Cft. |
| | | | | | Total = | 154.64 Cft. |
| <u>Deduction</u> | | | | | | |
| C-1 | 10 | 1.25 ft. x | 0.83 ft. x | 3.00 ft = | -31.13 | Cft. |
| Tie beam | 3 | 18.33 ft. x | 0.83 ft. x | 0.66 ft = | -30.12 | Cft. |
| | | | | | Total deduction = | -61.25 Cft. |
| <u>Add for Plinth</u> | | | | | | |
| Inside factory | 1 | 48.33 ft. x | 18.33 ft. x | 1.66 ft = | 1470.57 | Cft. |
| | | | | | Total = | 1470.57 Cft. |
| | | | | | Net Total = | 1563.96 Cft. 44.260 Cum. |

3 Cement concrete (1:3:6)with 40mm size CBHG metal including cost, conveyance and royalty etc. complete as per direction of Engg.-in-Charge.

| | | | | | | |
|-----------------|---|--------------|------------|-----------|--------|------|
| Open foundation | 1 | 136.64 ft. x | 2.00 ft. x | 0.50 ft = | 136.64 | Cft. |
| Step | 2 | 6.00 ft. x | 3.00 ft. x | 0.50 ft = | 18.00 | Cft. |

Total = 154.64 Cft.

Deduction

| | | | | | | |
|----------|----|-------------|------------|-----------|--------|------|
| C1 | 10 | 1.25 ft. x | 0.83 ft. x | 0.50 ft = | -5.19 | Cft. |
| Tie beam | 3 | 18.33 ft. x | 0.83 ft. x | 0.33 ft = | -15.06 | Cft. |

Total = -20.25 Cft.

Add for Flooring

| | | | | | | |
|----------------|---|-------------|-------------|-----------|--------|------|
| Inside factory | 1 | 48.33 ft. x | 18.33 ft. x | 0.33 ft = | 292.34 | Cft. |
|----------------|---|-------------|-------------|-----------|--------|------|

Total = 292.34 Cft.

Net Total = 426.73 Cft.

12.070 Cum.

4 Fly Ash Brick masonry in c.m. 1:6 in F & P including cost, conveyance and royalty of materials curing etc. complete. as per the direction of the Engineer-in-charge.

| | | | | | | |
|-------------|---|--------------|------------|-----------|--------|------|
| 1st Footing | 1 | 136.64 ft. x | 1.66 ft. x | 0.83 ft = | 188.26 | Cft. |
| 2nd Footing | 1 | 136.64 ft. x | 1.25 ft. x | 1.16 ft = | 198.12 | Cft. |

Steps

| | | | | | | |
|-------|---|------------|------------|-----------|-------|------|
| Steps | 2 | 6.00 ft. x | 3.00 ft. x | 0.66 ft = | 23.76 | Cft. |
| " | 2 | 6.00 ft. x | 2.00 ft. x | 0.66 ft = | 15.84 | Cft. |
| " | 2 | 6.00 ft. x | 1.00 ft. x | 0.66 ft = | 7.92 | Cft. |

Total = 433.90 Cft.

Deduction :-

| | | | | | | |
|----------------|----|------------|------------|-----------|--------|------|
| Column Portion | | | | | | |
| C-1 | 10 | 0.83 ft. x | 0.83 ft. x | 1.66 ft = | -11.44 | Cft. |

-11.44 Cft.

Net Total= 422.46 Cft.

11.950 Cum.

5 1st class Fly Ash brick masonry work in superstructure thoroughly soaked in water, with cement mortar (1:6) including scaffoldings ,racking out joints, curing etc complete as per specification/drawing and as per the direction of the Engineer-in-charge.

| | | | | | | |
|------------------|---|--------------|------------|-----------|---------|------|
| 10 " wall | 1 | 136.64 ft. x | 0.83 ft. x | 9.00 ft = | 1020.70 | Cft. |
|------------------|---|--------------|------------|-----------|---------|------|

Total = 1020.70 Cft.

Deduction (-)

| | | | | | | |
|------------|----|------------|------------|-----------|--------|------|
| Column C-1 | 10 | 0.83 ft. x | 0.83 ft. x | 9.00 ft = | -62.00 | Cft. |
|------------|----|------------|------------|-----------|--------|------|

Door

| | | | | | | |
|---|---|------------|------------|-----------|--------|------|
| D | 2 | 4.00 ft. x | 0.83 ft. x | 7.00 ft = | -46.48 | Cft. |
|---|---|------------|------------|-----------|--------|------|

| | | | | | | | |
|-----------------|---|--------------|------------|-----------|---------|------|--------------------|
| W | 6 | 5.00 ft. x | 0.83 ft. x | 4.50 ft = | -112.05 | Cft. | |
| Lintel | | | | | | | |
| 10" wall | 1 | 136.64 ft. x | 0.83 ft. x | 0.50 ft = | -56.71 | Cft. | |
| | | | | Total = | -277.24 | Cft. | |
| | | | | Net | 743.46 | Cft. | 21.040 Cum. |

6 Providing and Laying reinforcement Cement concrete (M-20) with 20 mm and down graded chips including cost all materials,labours,T & P,curing etc complete (excluding the cost of reinforcement & Centering, shuttering) as per direction of Engineer-in-charge.

Ground floor

(i) Column Base

| | | | | | | | |
|---------------|----|------------|------------|-----------|--------|------|-------------------|
| Footing F1-C1 | 10 | 4.00 ft. x | 4.00 ft. x | 1.00 ft = | 160.00 | Cft. | |
| " | 10 | 1.25 ft. x | 0.83 ft. x | 3.00 ft = | 31.12 | Cft. | |
| | | | | Total= | 191.12 | Cft. | 5.400 Cum. |

(ii) Plinth Beam

| | | | | | | | |
|------------|---|-------------|------------|-----------|--------|------|-------------------|
| Horizontal | 2 | 49.16 ft. x | 0.83 ft. x | 1.00 ft = | 81.60 | Cft. | |
| Vertical | 5 | 19.16 ft. x | 0.83 ft. x | 1.00 ft = | 79.51 | Cft. | |
| | | | | | 161.11 | Cft. | 4.550 Cum. |

(iii) Column & Beam

| | | | | | | | |
|----------------------|----|-------------|------------|-----------|--------|------|-------------------|
| C-1 | 10 | 1.25 ft. x | 0.83 ft. x | 9.00 ft = | 93.37 | Cft. | |
| Deduction : - | | | | | | | |
| C-1 | 10 | 0.83 ft. x | 0.83 ft. x | 0.50 ft = | -3.44 | Cft. | |
| Roof Beam | | | | | | | |
| Horizontal | 2 | 49.16 ft. x | 0.83 ft. x | 1.00 ft = | 81.60 | Cft. | |
| Vertical | 5 | 19.16 ft. x | 0.83 ft. x | 1.00 ft = | 79.51 | Cft. | |
| | | | | Total = | 251.04 | Cft. | 7.100 Cum. |

(iv) 65mm avg. Chajja & windows seal

| | | | | | | | |
|---|---|-----|------------|-----------|-------|------|-------------------|
| W | 6 | 2 x | 5.50 ft. x | 1.00 ft = | 66.00 | Sft. | |
| | | | | | 66.00 | Sft. | 6.130 Sqm. |

(vi) Roof Slab

| | | | | | | | |
|-----------|---|-------------|-------------|------------|--------|------|--------------------|
| Roof Slab | 1 | 50.00 ft. x | 20.00 ft. x | 0.41 ft = | 410.00 | Cft. | |
| | | | | Net Total= | 410.00 | Cft. | 11.600 Cum. |

(vii) Lintel

| | | | | | | | |
|-----------------|---|--------------|------------|-----------|-------|------|-------------------|
| 10" wall | 1 | 136.64 ft. x | 0.83 ft. x | 0.50 ft = | 56.71 | Cft. | |
| | | | | Total = | 56.71 | Cft. | 1.600 Cum. |

7 Supplying, fitting and placing uncoated HYSD bar reinforcement complete in proper position including cost of binding wire 18 to 20 gauge as per direction of Engg.-in-Charge.

| | | | | | |
|---------------------|---------------|--------|--------------|-----|--------------------|
| (i) Column Base | 5.400 | #1.0 | 5.40 | qtl | |
| | | Qt/Cum | | | |
| (ii) Tie Beam | 4.550 | # 1.20 | 5.46 | qtl | |
| | | Qt/Cum | | | |
| (iii) Column & Beam | 7.100 | # 1.76 | 12.50 | qtl | |
| | | Qt/Cum | | | |
| (iv) Chajja | 0.398 | #0.50 | 0.20 | qtl | |
| | | Qt/Cum | | | |
| (v) Roof Slab | 11.600 | #0.90 | 10.44 | qtl | |
| | | Qt/Cum | | | |
| (vi) Lintel | 1.600 | #1.2 | 1.92 | qtl | |
| | | Qt/Cum | | | |
| | <u>30.648</u> | Cft. | <u>35.92</u> | qtl | 35.915 Qtl. |
| Avg steel 1.17% | | | | | |

8 12mm cement plaster in cement mortar (1:6) including necessary scaffolding curing etc. as per direction of Engg.-in-Charge.

| | | | | | |
|---------------------|---|-------------|------------|----------------|---------------|
| Out side wall | | | | | |
| Front | 2 | 50.00 ft. x | 13.00 ft = | 1300.00 | Sft. |
| Side | 2 | 20.00 ft. x | 13.00 ft = | <u>520.00</u> | " |
| | | | Total = | <u>1820.00</u> | Sft. |
| <u>Deduction</u> | | | | | |
| W | 6 | 0.50 x | 5.00 ft. x | 4.50 ft = | -67.50 |
| D | 2 | 0.50 x | 5.00 ft. x | 7.00 ft = | <u>-35.00</u> |
| | | | | <u>-102.50</u> | Sft. |
| | | | Net | <u>1717.50</u> | Sft. |
| 159.570 Sqm. | | | | | |

9 16mm thick cement plaster in cement mortar (1:6) including necessary scaffolding curing etc. as per direction of Engg.-in-Charge.

| | | | | | |
|---------------------|-----|-------------|------------|----------------|--------------------|
| Inside | | | | | |
| Factory | 2 x | 48.33 ft. x | 10.00 ft = | 966.60 | Sft. |
| " | 2 x | 18.33 ft. x | 10.00 ft = | 366.60 | Sft. |
| Step | 4 x | 3.00 ft. x | 1.00 ft = | 12.00 | Sft. |
| | | | (Avg) | <u>1345.20</u> | Sft. |
| | | | Total = | <u>1345.20</u> | Sft. |
| <u>Deduction</u> | | | | | |
| D | 2 x | 0.50 x | 5.00 ft. x | 7.00 ft = | -35.00 Sft. |
| W | 6 x | 0.50 x | 5.00 ft. x | 4.50 ft = | <u>-67.50</u> Sft. |
| | | | Total (-) | <u>-102.50</u> | Sft |
| | | | Net = | <u>1242.70</u> | Sft |
| 115.460 Sqm. | | | | | |

10 6mm.thick cement plaster with C.M(1:4) to RCC surface including closed deep chipping and slury treatment etc. complete as per direction of Engg.-in-Charge.

| | | | | | | | | |
|----------------|-----|-------------|----------------------|---------------------|----------------|-------------|--|---------------------|
| inside | | | | | | | | |
| Factory | 1 x | 48.33 ft. x | 18.33 ft = | 885.89 | Sft. | | | |
| i Inside | | | | | | | | |
| Beam side | 3 x | 18.33 ft. x | 2.00 ft = | 109.98 | Sft. | | | |
| Column portion | | | | | | | | |
| C-1 side | 6 x | 0.83 ft. x | 10.00 ft = | 49.80 | Sft. | | | |
| | | | | A = | 1045.67 | Sft. | | 97.150 Sqm. |
| ii outside | | | | | | | | |
| Chajja | | | | | | | | |
| W | 6 x | 4 x | 5.50 ft. x 1.00 ft = | 132.00 | Sft. | | | |
| | | | | B = | 132.00 | Sft. | | 12.260 Sqm. |
| | | | | Total (A+B)= | 1177.67 | Sft. | | 109.410 Sqm. |

11 2.5cm. thick A.S.Flooring with C.C.1:2:4 using 12mm. size HBG crusher broken chips including punning,cost,conveyance and royalty of materials curing etc. complete as per direction of Engg-in-Charge .

| | | | | | | | |
|---------|---|-------------|------------|----------------|---------------|-------------|--------------------|
| Factory | 1 | 48.33 ft. x | 18.33 ft = | 885.89 | Sft. | | |
| Step | 2 | 6.00 ft. x | 1.66 ft = | 0.00 | Sft. | | |
| " | 2 | 3.00 ft. x | 1.66 ft = | 0.00 | Sft. | | |
| " | 2 | 1.00 ft. x | 1.66 ft = | 0.00 | Sft. | | |
| | | | | Total = | 885.89 | Sft. | 82.300 Sqm. |

12 Cement washing two coats with cost of all labour & materials etc. complete as per direction of Engg-in-Charge .

| | | | | | |
|------------------------------|----------------|---------------|-------------|--|---------------------|
| Same as 12 mm cement plaster | 8 = | 159.57 | Sqm. | | |
| Same as 16 mm cement plaster | 9 = | 115.46 | Sqm. | | |
| Same as 6 mm cement plaster | 10 = | 109.41 | Sqm. | | |
| | Total = | 384.44 | Sqm. | | 384.440 Sqm. |

13 Finishing walls with water proofing cement paint of aoroved shade on new work two coats to give an even shade excluding cost of paint etc. complete as per direction of Engg-in-Charge .

| | | | | | |
|---------------------|----------------|---------------|-------------|--|---------------------|
| Same as cement wash | Total = | 384.44 | Sqm. | | 384.440 Sqm. |
|---------------------|----------------|---------------|-------------|--|---------------------|

14 Supplying and fixing of steel M.S. grill with all fitting and fixtures including cost of cutting holes in the brick masonry and R.C.C. columns and making good to damage etc, as per direction of Engineer -in - charge.

| | | | | | |
|---|-----|------------|-----------|--------|------|
| D | 2 x | 4.00 ft. x | 7.00 ft = | 56.00 | Sft. |
| W | 6 x | 5.00 ft. x | 4.50 ft = | 135.00 | Sft. |

Total = 191.00 Sft.
3.5 Kg/sft =

668.500 Kg.

15 Eamel Painting two coats with enamel paint over one coat of primer of approved quality etc. complete as per direction of Engg-in-Charge .

| | | | | | | |
|---|-----|--------|------------|-----------|-------|------|
| D | 1 x | 0.50 x | 4.00 ft. x | 7.00 ft = | 14.00 | Sft. |
| W | 4 x | 0.50 x | 5.00 ft. x | 4.50 ft = | 45.00 | Sft. |

Total = 59.00 Sft.

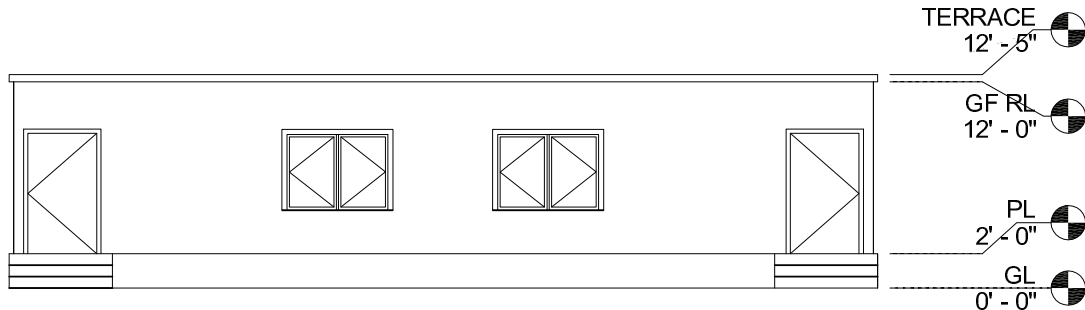
5.480 Sqm.

16 20mm. thick grading plaster in c.m. 1:4 over roof slab and chujja including cost conveyance and royalty of materials curing etc. complete as per direction of Engg-in-Charge .

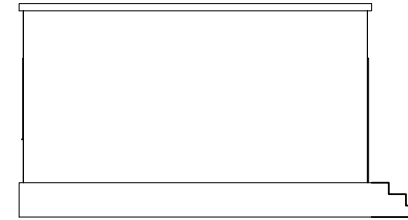
| | | | | | |
|------|-----|-------------|------------|---------|------|
| Roof | 1 x | 50.00 ft. x | 20.00 ft = | 1000.00 | Sft. |
|------|-----|-------------|------------|---------|------|

Total = 1000.00 Sft.

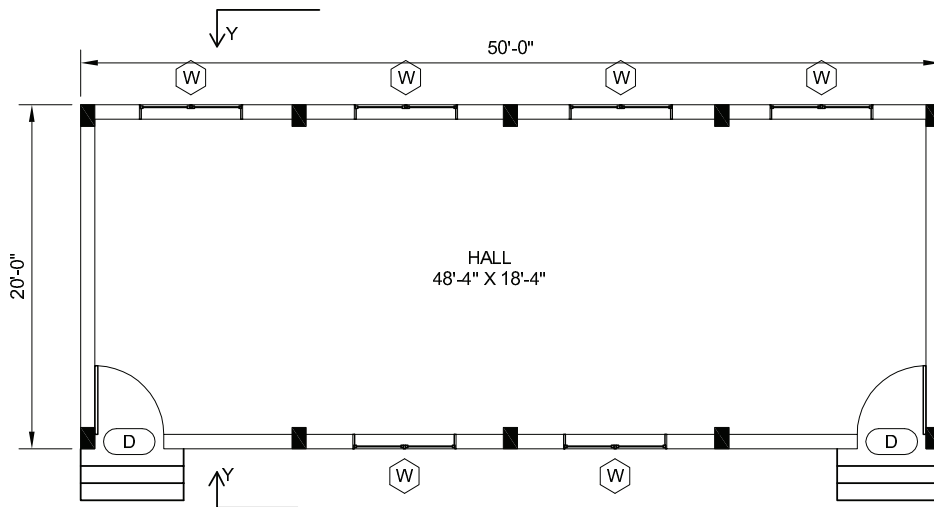
92.910 Sqm.



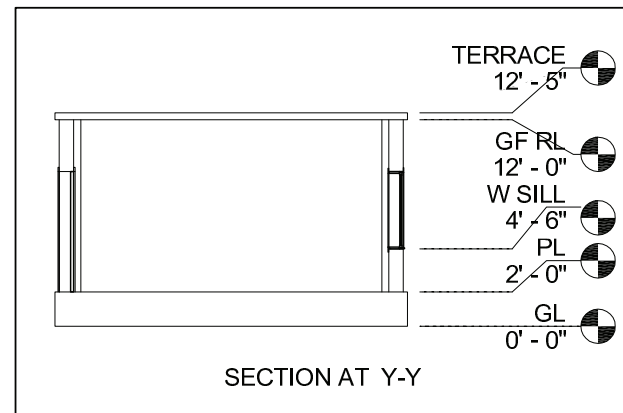
FRONT ELEVATION



LEFT SIDE ELEVATION



PLAN



SECTION AT Y-Y

- NOTE:
1. THE DRAWING SHALL BE READ AND THE DIMENSIONS MUST BE FOLLOWED.
 2. THIS DRAWING IS READ IN CONJUNCTION WITH RELEVANT ARCHITECTURAL, STRUCTURAL AND ALL SERVICES DRAWINGS.
 3. ANY DISCREPANCY, IF SO SHALL BE IMMEDIATELY BROUGHT TO THE NOTICE OF THE CONSULTANTS BEFORE START OF CONSTRUCTION WORK.
 4. ALL P.C.C WORK SHOULD BE M-15 GARDE CONCRETE.
 5. ALL R.C.C WORK SHOULD BE M-20 GARDE CONCRETE.
 6. GRADE OF STEEL F8-11(11) X 5(D BARS), LAP LENGTH AND ANCHORAGE LENGTH (Ld) TO BE PROVIDED 50D.
 7. CLEAR COVER TO REINFORCEMENT SHOULD BE: FOUNDATION - 50MM BEAM - 25MM SLAB - 15MM

SCHEDULE OF DOORS & WINDOWS

| S.L. NO | TYPE | B | H | SILL LEV. |
|---------|------|-------|-------|-----------|
| 1 | D | 4'-0" | 7'-0" | - |
| 2 | D1 | 3'-6" | 7'-0" | - |
| 3 | D2 | 3'-0" | 7'-0" | - |
| 4 | D3 | 2'-6" | 7'-0" | 2'-6" |
| 5 | W | 5'-0" | 4'-6" | 2'-6" |
| 6 | W2 | 4'-0" | 4'-6" | 3'-0" |
| 7 | V | 2'-0" | 2'-0" | 3'-0" |

AGENCY NAME :-
Proposed Building of CFC-5 at Jalakabar (Coir Yarn making, mat making, Handicrafts) of Satyabadi Block, Dist-Puri.

SHEET TITLE :-
PLAN & ELEVATION

PROJECT NO
01

Project Management Consultant
D:\Users\ashu\Documents\AEC\copy job

CONSULTANT
MADHUSMITA DESIGN & ENGINEERS STUDIO
2306, NEAR NAGESWAR TEMPLE, NAGESWAR
TANGI, RAVI TALKIES, BHUBANESWAR-751002
PH-0674-2434347(O), 9861092612(M),
email - mdesstudio12@gmail.com , pmsahu11@gmail.com
PAN-ABBFM0485D, GSTIN-21ABBFM0485D1ZU

STRUCTURAL ENGINEER
Er. PREM PRAKASH SAHU c. Eng. M.ASCE
M. Tech. (Structural Engg)
PGDM (Infra. Mang.), PG Dip. Urban Plan. & Dev.
Member Indian Building Congress M No. - (0M-8001)

DESIGNED BY
Er. PREM PRAKASH SAHU

DRAWN BY
Er. ASIT KUMAR SETHI

TECHNICAL DATA :-
AREA :-
GROUND FLOOR AREA - 1000 Sqft.
TOTAL AREA - 1000 Sqft.

PROJECT TITLE :-
Proposed Building of CFC-5 at Jalakabar (Coir Yarn making, mat making, Handicrafts) of Satyabadi Block, Dist-Puri.

| DATE | SCALE | SHEET NO. |
|------|--------------|-----------|
| | 1/8" = 1'-0" | 1 |

Details estimate for Construction of Building of CFC-5 at Jalakabar(Coiron Yarn making, matmaking, Handicrafts) of Satyabadi Block, Dist-Puri.

(GROUND FLOOR)

(Center line Method)

| | | | | | | |
|---------------------|---|---|------------|---|--------|------|
| horizontal line | 2 | x | 49.16 Rft. | = | 98.32 | Rft. |
| Vertical line | 5 | x | 19.16 Rft. | = | 95.80 | Rft. |
| | | | | | 194.12 | Rft. |
| Open foundation | 2 | x | 49.16 Rft. | = | 98.32 | Rft. |
| | 2 | x | 19.16 Rft. | = | 38.32 | Rft. |
| | | | | | 136.64 | Rft. |

1 Foundation excavation in hard soil including leveling and dressing the bed and sides depositing muck within initial lead and lift etc. complete. as per direction of Engg.-in-Charge.

| | | | | | | |
|-------------------------|----|--------------|------------|------------|---------|-------------------------|
| Open foundation | 1 | 136.64 ft. x | 2.00 ft. x | 2.00 ft = | 546.56 | Cft. |
| Footing F1-C1 | 10 | 4.00 ft. x | 4.00 ft. x | 4.00 ft = | 640.00 | " |
| Step | 2 | 6.00 ft. x | 3.00 ft. x | 1.00 ft = | 36.00 | " |
| <u>Deduction</u> | | | | | | |
| Footing F1-C1 | 10 | 4.00 ft. x | 2.00 ft. x | 2.00 ft = | -160.00 | Cft. |
| | | | | Total = | 1062.56 | Cft. |
| | | | | Net Total= | 1062.56 | Cft. 30.070 Cum. |

2 Filling foundation and plinth with sand and well watered and rammed including cost, conveyance and royalty etc complete as per direction of Engg.-in-Charge.

| | | | | | | |
|------------------------------|----|--------------|-------------|-------------------|---------|-------------------------|
| Open foundation | 1 | 136.64 ft. x | 2.00 ft. x | 0.50 ft = | 136.64 | Cft. |
| Step | 2 | 6.00 ft. x | 3.00 ft. x | 0.50 ft = | 18.00 | Cft. |
| | | | | Total = | 154.64 | Cft. |
| <u>Deduction</u> | | | | | | |
| C-1 | 10 | 1.25 ft. x | 0.83 ft. x | 3.00 ft = | -31.13 | Cft. |
| Tie beam | 3 | 18.33 ft. x | 0.83 ft. x | 0.66 ft = | -30.12 | Cft. |
| | | | | Total deduction = | -61.25 | Cft. |
| <u>Add for Plinth</u> | | | | | | |
| Inside factory | 1 | 48.33 ft. x | 18.33 ft. x | 1.66 ft = | 1470.57 | Cft. |
| | | | | Total = | 1470.57 | Cft. |
| | | | | Net Total = | 1563.96 | Cft. 44.260 Cum. |

3 Cement concrete (1:3:6)with 40mm size CBHG metal including cost, conveyance and royalty etc. complete as per direction of Engg.-in-Charge.

| | | | | | | |
|-----------------|---|--------------|------------|-----------|--------|------|
| Open foundation | 1 | 136.64 ft. x | 2.00 ft. x | 0.50 ft = | 136.64 | Cft. |
| Step | 2 | 6.00 ft. x | 3.00 ft. x | 0.50 ft = | 18.00 | Cft. |

Total = 154.64 Cft.

Deduction

| | | | | | | |
|----------|----|-------------|------------|-----------|--------|------|
| C1 | 10 | 1.25 ft. x | 0.83 ft. x | 0.50 ft = | -5.19 | Cft. |
| Tie beam | 3 | 18.33 ft. x | 0.83 ft. x | 0.33 ft = | -15.06 | Cft. |

Total = -20.25 Cft.

Add for Flooring

| | | | | | | |
|----------------|---|-------------|-------------|-----------|--------|------|
| Inside factory | 1 | 48.33 ft. x | 18.33 ft. x | 0.33 ft = | 292.34 | Cft. |
|----------------|---|-------------|-------------|-----------|--------|------|

Total = 292.34 Cft.

Net Total = 426.73 Cft.

12.070 Cum.

4 Fly Ash Brick masonry in c.m. 1:6 in F & P including cost, conveyance and royalty of materials curing etc. complete. as per the direction of the Engineer-in-charge.

| | | | | | | |
|-------------|---|--------------|------------|-----------|--------|------|
| 1st Footing | 1 | 136.64 ft. x | 1.66 ft. x | 0.83 ft = | 188.26 | Cft. |
| 2nd Footing | 1 | 136.64 ft. x | 1.25 ft. x | 1.16 ft = | 198.12 | Cft. |

Steps

| | | | | | | |
|-------|---|------------|------------|-----------|-------|------|
| Steps | 2 | 6.00 ft. x | 3.00 ft. x | 0.66 ft = | 23.76 | Cft. |
| " | 2 | 6.00 ft. x | 2.00 ft. x | 0.66 ft = | 15.84 | Cft. |
| " | 2 | 6.00 ft. x | 1.00 ft. x | 0.66 ft = | 7.92 | Cft. |

Total = 433.90 Cft.

Deduction :-

| | | | | | | |
|----------------|----|------------|------------|-----------|--------|------|
| Column Portion | | | | | | |
| C-1 | 10 | 0.83 ft. x | 0.83 ft. x | 1.66 ft = | -11.44 | Cft. |

-11.44 Cft.

Net Total= 422.46 Cft.

11.950 Cum.

5 1st class Fly Ash brick masonry work in superstructure thoroughly soaked in water, with cement mortar (1:6) including scaffoldings ,racking out joints, curing etc complete as per specification/drawing and as per the direction of the Engineer-in-charge.

| | | | | | | |
|------------------|---|--------------|------------|-----------|---------|------|
| 10 " wall | 1 | 136.64 ft. x | 0.83 ft. x | 9.00 ft = | 1020.70 | Cft. |
|------------------|---|--------------|------------|-----------|---------|------|

Total = 1020.70 Cft.

Deduction (-)

| | | | | | | |
|------------|----|------------|------------|-----------|--------|------|
| Column C-1 | 10 | 0.83 ft. x | 0.83 ft. x | 9.00 ft = | -62.00 | Cft. |
|------------|----|------------|------------|-----------|--------|------|

Door

| | | | | | | |
|---|---|------------|------------|-----------|--------|------|
| D | 2 | 4.00 ft. x | 0.83 ft. x | 7.00 ft = | -46.48 | Cft. |
|---|---|------------|------------|-----------|--------|------|

| | | | | | | | |
|-----------------|---|--------------|------------|-----------|---------|------|--------------------|
| W | 6 | 5.00 ft. x | 0.83 ft. x | 4.50 ft = | -112.05 | Cft. | |
| Lintel | | | | | | | |
| 10" wall | 1 | 136.64 ft. x | 0.83 ft. x | 0.50 ft = | -56.71 | Cft. | |
| | | | | Total = | -277.24 | Cft. | |
| | | | | Net | 743.46 | Cft. | 21.040 Cum. |

6 Providing and Laying reinforcement Cement concrete (M-20) with 20 mm and down graded chips including cost all materials,labours,T & P,curing etc complete (excluding the cost of reinforcement & Centering, shuttering) as per direction of Engineer-in-charge.

Ground floor

(i) Column Base

| | | | | | | | |
|---------------|----|------------|------------|-----------|--------|------|-------------------|
| Footing F1-C1 | 10 | 4.00 ft. x | 4.00 ft. x | 1.00 ft = | 160.00 | Cft. | |
| " | 10 | 1.25 ft. x | 0.83 ft. x | 3.00 ft = | 31.12 | Cft. | |
| | | | | Total= | 191.12 | Cft. | 5.400 Cum. |

(ii) Plinth Beam

| | | | | | | | |
|------------|---|-------------|------------|-----------|--------|------|-------------------|
| Horizontal | 2 | 49.16 ft. x | 0.83 ft. x | 1.00 ft = | 81.60 | Cft. | |
| Vertical | 5 | 19.16 ft. x | 0.83 ft. x | 1.00 ft = | 79.51 | Cft. | |
| | | | | | 161.11 | Cft. | 4.550 Cum. |

(iii) Column & Beam

| | | | | | | | |
|----------------------|----|-------------|------------|-----------|--------|------|-------------------|
| C-1 | 10 | 1.25 ft. x | 0.83 ft. x | 9.00 ft = | 93.37 | Cft. | |
| Deduction : - | | | | | | | |
| C-1 | 10 | 0.83 ft. x | 0.83 ft. x | 0.50 ft = | -3.44 | Cft. | |
| Roof Beam | | | | | | | |
| Horizontal | 2 | 49.16 ft. x | 0.83 ft. x | 1.00 ft = | 81.60 | Cft. | |
| Vertical | 5 | 19.16 ft. x | 0.83 ft. x | 1.00 ft = | 79.51 | Cft. | |
| | | | | Total = | 251.04 | Cft. | 7.100 Cum. |

(iv) 65mm avg. Chajja & windows seal

| | | | | | | | |
|---|---|-----|------------|-----------|-------|------|-------------------|
| W | 6 | 2 x | 5.50 ft. x | 1.00 ft = | 66.00 | Sft. | |
| | | | | | 66.00 | Sft. | 6.130 Sqm. |

(vi) Roof Slab

| | | | | | | | |
|-----------|---|-------------|-------------|------------|--------|------|--------------------|
| Roof Slab | 1 | 50.00 ft. x | 20.00 ft. x | 0.41 ft = | 410.00 | Cft. | |
| | | | | Net Total= | 410.00 | Cft. | 11.600 Cum. |

(vii) Lintel

| | | | | | | | |
|-----------------|---|--------------|------------|-----------|-------|------|-------------------|
| 10" wall | 1 | 136.64 ft. x | 0.83 ft. x | 0.50 ft = | 56.71 | Cft. | |
| | | | | Total = | 56.71 | Cft. | 1.600 Cum. |

7 Supplying, fitting and placing uncoated HYSD bar reinforcement complete in proper position including cost of binding wire 18 to 20 gauge as per direction of Engg.-in-Charge.

| | | | | | |
|---------------------|---------------|--------|--------------|-----|--------------------|
| (i) Column Base | 5.400 | #1.0 | 5.40 | qtl | |
| | | Qt/Cum | | | |
| (ii) Tie Beam | 4.550 | # 1.20 | 5.46 | qtl | |
| | | Qt/Cum | | | |
| (iii) Column & Beam | 7.100 | # 1.76 | 12.50 | qtl | |
| | | Qt/Cum | | | |
| (iv) Chajja | 0.398 | #0.50 | 0.20 | qtl | |
| | | Qt/Cum | | | |
| (v) Roof Slab | 11.600 | #0.90 | 10.44 | qtl | |
| | | Qt/Cum | | | |
| (vi) Lintel | 1.600 | #1.2 | 1.92 | qtl | |
| | | Qt/Cum | | | |
| | <u>30.648</u> | Cft. | <u>35.92</u> | qtl | 35.915 Qtl. |
| Avg steel 1.17% | | | | | |

8 12mm cement plaster in cement mortar (1:6) including necessary scaffolding curing etc. as per direction of Engg.-in-Charge.

| | | | | | |
|---------------------|---|-------------|------------|----------------|---------------|
| Out side wall | | | | | |
| Front | 2 | 50.00 ft. x | 13.00 ft = | 1300.00 | Sft. |
| Side | 2 | 20.00 ft. x | 13.00 ft = | <u>520.00</u> | " |
| | | | Total = | <u>1820.00</u> | Sft. |
| <u>Deduction</u> | | | | | |
| W | 6 | 0.50 x | 5.00 ft. x | 4.50 ft = | -67.50 |
| D | 2 | 0.50 x | 5.00 ft. x | 7.00 ft = | <u>-35.00</u> |
| | | | | <u>-102.50</u> | Sft. |
| | | | Net | <u>1717.50</u> | Sft. |
| 159.570 Sqm. | | | | | |

9 16mm thick cement plaster in cement mortar (1:6) including necessary scaffolding curing etc. as per direction of Engg.-in-Charge.

| | | | | | |
|---------------------|-----|-------------|------------|----------------|--------------------|
| Inside | | | | | |
| Factory | 2 x | 48.33 ft. x | 10.00 ft = | 966.60 | Sft. |
| " | 2 x | 18.33 ft. x | 10.00 ft = | 366.60 | Sft. |
| Step | 4 x | 3.00 ft. x | 1.00 ft = | 12.00 | Sft. |
| | | | (Avg) | <u>1345.20</u> | Sft. |
| | | | Total = | <u>1345.20</u> | Sft. |
| <u>Deduction</u> | | | | | |
| D | 2 x | 0.50 x | 5.00 ft. x | 7.00 ft = | -35.00 Sft. |
| W | 6 x | 0.50 x | 5.00 ft. x | 4.50 ft = | <u>-67.50</u> Sft. |
| | | | Total (-) | <u>-102.50</u> | Sft |
| | | | Net = | <u>1242.70</u> | Sft |
| 115.460 Sqm. | | | | | |

10 6mm.thick cement plaster with C.M(1:4) to RCC surface including closed deep chipping and slury treatment etc. complete as per direction of Engg.-in-Charge.

| | | | | | | | | |
|----------------|-----|-------------|----------------------|---------------------|---------------------|--|--|---------------------|
| inside | | | | | | | | |
| Factory | 1 x | 48.33 ft. x | 18.33 ft = | 885.89 | Sft. | | | |
| i Inside | | | | | | | | |
| Beam side | 3 x | 18.33 ft. x | 2.00 ft = | 109.98 | Sft. | | | |
| Column portion | | | | | | | | |
| C-1 side | 6 x | 0.83 ft. x | 10.00 ft = | 49.80 | Sft. | | | |
| | | | | A = | 1045.67 Sft. | | | 97.150 Sqm. |
| ii outside | | | | | | | | |
| Chajja | | | | | | | | |
| W | 6 x | 4 x | 5.50 ft. x 1.00 ft = | 132.00 | Sft. | | | |
| | | | | B = | 132.00 Sft. | | | 12.260 Sqm. |
| | | | | Total (A+B)= | 1177.67 Sft. | | | 109.410 Sqm. |

11 2.5cm. thick A.S.Flooring with C.C.1:2:4 using 12mm. size HBG crusher broken chips including punning,cost,conveyance and royalty of materials curing etc. complete as per direction of Engg-in-Charge .

| | | | | | | | |
|---------|---|-------------|------------|----------------|--------------------|--|--------------------|
| Factory | 1 | 48.33 ft. x | 18.33 ft = | 885.89 | Sft. | | |
| Step | 2 | 6.00 ft. x | 1.66 ft = | 0.00 | Sft. | | |
| " | 2 | 3.00 ft. x | 1.66 ft = | 0.00 | Sft. | | |
| " | 2 | 1.00 ft. x | 1.66 ft = | 0.00 | Sft. | | |
| | | | | Total = | 885.89 Sft. | | 82.300 Sqm. |

12 Cement washing two coats with cost of all labour & materials etc. complete as per direction of Engg-in-Charge .

| | | | | | |
|------------------------------|----------------|---------------|-------------|--|---------------------|
| Same as 12 mm cement plaster | 8 = | 159.57 | Sqm. | | |
| Same as 16 mm cement plaster | 9 = | 115.46 | Sqm. | | |
| Same as 6 mm cement plaster | 10 = | 109.41 | Sqm. | | |
| | Total = | 384.44 | Sqm. | | 384.440 Sqm. |

13 Finishing walls with water proofing cement paint of aoroved shade on new work two coats to give an even shade excluding cost of paint etc. complete as per direction of Engg-in-Charge .

| | | | | | |
|---------------------|----------------|---------------|-------------|--|---------------------|
| Same as cement wash | Total = | 384.44 | Sqm. | | 384.440 Sqm. |
|---------------------|----------------|---------------|-------------|--|---------------------|

14 Supplying and fixing of steel M.S. grill with all fitting and fixtures including cost of cutting holes in the brick masonry and R.C.C. columns and making good to damage etc, as per direction of Engineer -in - charge.

| | | | | | |
|---|-----|------------|-----------|--------|------|
| D | 2 x | 4.00 ft. x | 7.00 ft = | 56.00 | Sft. |
| W | 6 x | 5.00 ft. x | 4.50 ft = | 135.00 | Sft. |

Total = 191.00 Sft.
3.5 Kg/sft =

668.500 Kg.

15 Eamel Painting two coats with enamel paint over one coat of primer of approved quality etc. complete as per direction of Engg-in-Charge .

| | | | | | | |
|---|-----|--------|------------|-----------|-------|------|
| D | 1 x | 0.50 x | 4.00 ft. x | 7.00 ft = | 14.00 | Sft. |
| W | 4 x | 0.50 x | 5.00 ft. x | 4.50 ft = | 45.00 | Sft. |

Total = 59.00 Sft.

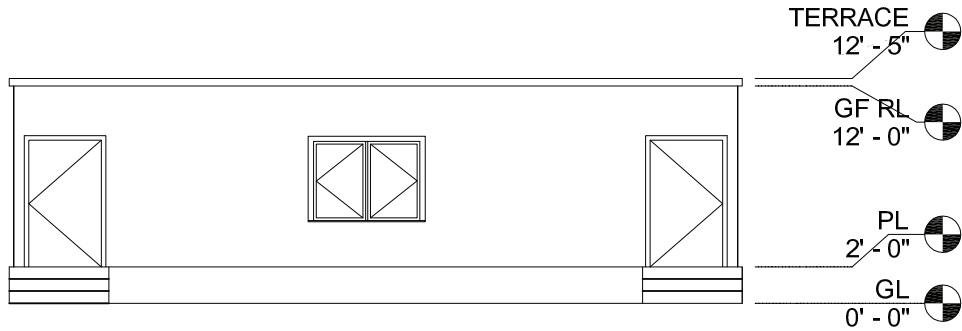
5.480 Sqm.

16 20mm. thick grading plaster in c.m. 1:4 over roof slab and chujja including cost conveyance and royalty of materials curing etc. complete as per direction of Engg-in-Charge .

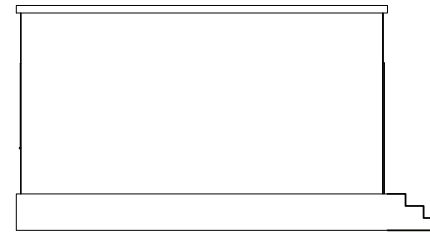
| | | | | | |
|------|-----|-------------|------------|---------|------|
| Roof | 1 x | 50.00 ft. x | 20.00 ft = | 1000.00 | Sft. |
|------|-----|-------------|------------|---------|------|

Total = 1000.00 Sft.

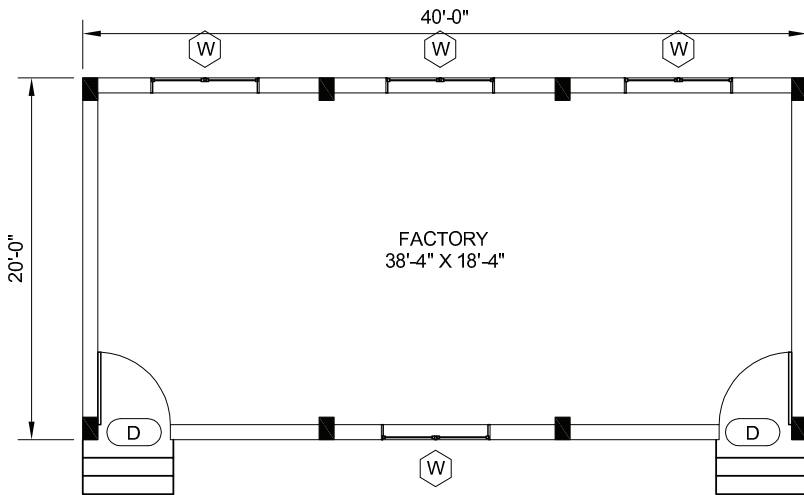
92.910 Sqm.



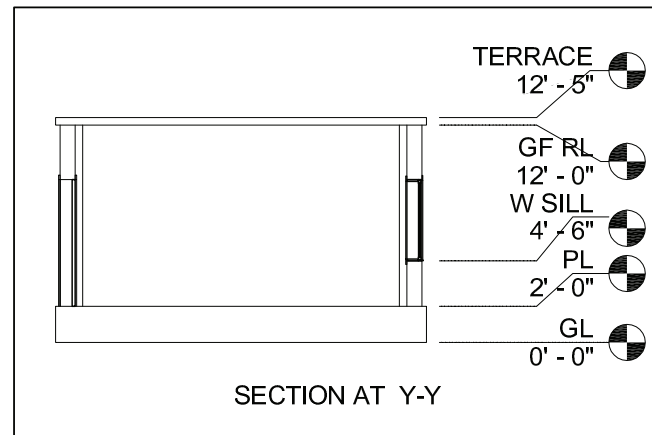
FRONT ELEVATION



LEFT SIDE ELEVATION



PLAN



SECTION AT Y-Y

- NOTE :-
1. THE DRAWING SHALL BE READ AND THE DIMENSIONS MUST BE FOLLOWED.
 2. THIS DRAWING IS READ IN CONJUNCTION WITH RELEVANT ARCHITECTURAL, STRUCTURAL AND ALL SERVICES DRAWINGS.
 3. ANY DISCREPANCY, IF SO SHALL BE IMMEDIATELY BROUGHT TO THE NOTICE OF THE CONSULTANTS BEFORE START OF CONSTRUCTION WORK.
 4. ALL P.C.C WORK SHOULD BE M-15 GARDE CONCRETE.
 5. ALL R.C.C WORK SHOULD BE M-20 GARDE CONCRETE.
 6. GRADE OF STEEL Fe-415(H.Y.S.D.BARS) LAP LENGTH AND ANCHORAGE LENGTH (Ld) TO BE PROVIDED 50D.
 7. CLEAR COVER TO REINFORCEMENT SHOULD BE :
FOUNDATION - 50MM
COLUMN - 40MM
BEAM - 25MM
SLAB - 15MM

SCHEDULE OF DOORS & WINDOWS

| S.L. NO | TYPE | B | H | SILL LEV. |
|---------|------|-------|-------|-----------|
| 1 | D | 4'-0" | 7'-0" | - |
| 2 | DI | 3'-6" | 7'-0" | - |
| 3 | DI | 3'-0" | 7'-0" | - |
| 4 | W | 5'-0" | 4'-6" | 2'-0" |
| 5 | W | 4'-0" | 4'-6" | 2'-0" |
| 6 | W | 4'-0" | 4'-6" | 2'-0" |
| 4 | V | 2'-0" | 2'-0" | 2'-0" |

AGENCY NAME :-

Proposed Building of CFC-6 at Brahmapur, Madhuban (Coir Yarn making, Mat making, Handicrafts) of Satyabadi Block, Dist-Puri.

SHEET TITLE :-
PLAN & ELEVATION

| PROJECT NO | | |
|------------|--|--|
| 01 | | |

Project Management Consultant
D:\Users\user\Documents\WBES copy.xls & Consulting Engineer.

CONSULTANT
MADHUSMITA DESIGN & ENGINEERS STUDIO
2936, NEAR NAGESWAR TEMPLE, NAGESWAR TANGI, RAVI TALKIES, BHUBANESWAR-751002
PH-0674-243437(O), 9861092612(M),
email - mdsstudio12@gmail.com , pmssthu11@gmail.com
PAN-ABBFM0485D, GSTIN-21ABBFM0485D1ZU

STRUCTURAL ENGINEER
Er. PREM PRAKASH SAHU c. Eng., M.ASCE
M. Tech (Structural Engg.)
PGDM (Infra. Mang.), PG Dip. Urban Plan. & Dev.
Member Indian Building Congress M No. - (OM-8001)

DESIGNED BY
Er. PREM PRAKASH SAHU

DRAWN BY
Er. ASIT KUMAR SETHI

TECHNICAL DATA :-
AREA :-
GROUND FLOOR AREA - 800 Sqft.

TOTAL AREA - 800 Sqft.

PROJECT TITLE :-
Proposed Building of CFC-6 at Brahmapur, Madhuban (Coir Yarn making, Mat making, Handicrafts) of Satyabadi Block, Dist-Puri.

| DATE | SCALE | SHEET NO. |
|------|--------------|-----------|
| | 1/8" = 1'-0" | 1 |

**Details estimate for Construction of Building of CFC-6 at Brahmapur,
Madhuban(Coair Yarn making, matmaking, Handicrafts) of Satyabadi Block,
Dist-Puri.**

(GROUND FLOOR)

(Center line Method)

| | | | | | | |
|---------------------|-------|-------|----------------|-------|-----------|----------|
| horizontal line | 2 | x | 39.16 Rft. | = | 78.32 | Rft. |
| Vertical line | 4 | x | 19.16 Rft. | = | 76.64 | Rft. |
| | | | | = | 154.96 | Rft. |
| Open foundation | 2 | x | 39.16 Rft. | = | 78.32 | Rft. |
| | 2 | x | 19.16 Rft. | = | 38.32 | Rft. |
| | | | | = | 116.64 | Rft. |

1 Foundation excavation in hard soil including leveling and dressing the bed and sides depositing muck within initial lead and lift etc. complete. as per direction of Engg.-in-Charge.

| | | | | | | |
|-------------------------|---|--|--------------|------------|------------|--------------------------------|
| Open foundation | 1 | | 116.64 ft. x | 2.00 ft. x | 2.00 ft = | 466.56 Cft. |
| Footing F1-C1 | 8 | | 4.00 ft. x | 4.00 ft. x | 4.00 ft = | 512.00 " |
| Step | 2 | | 5.00 ft. x | 3.00 ft. x | 1.00 ft = | 30.00 " |
| <u>Deduction</u> | | | | | | |
| Footing F1-C1 | 8 | | 4.00 ft. x | 2.00 ft. x | 2.00 ft = | -128.00 Cft. |
| | | | | | Total = | 880.56 Cft. |
| | | | | | Net Total= | 880.56 Cft. 24.910 Cum. |

2 Filling foundation and plinth with sand and well watered and rammed including cost, conveyance and royalty etc complete as per direction of Engg.-in-Charge.

| | | | | | | |
|------------------------------|---|--|--------------|-------------|-------------------|---------------------------------|
| Open foundation | 1 | | 116.64 ft. x | 2.00 ft. x | 0.50 ft = | 116.64 Cft. |
| Step | 2 | | 5.00 ft. x | 3.00 ft. x | 0.50 ft = | 15.00 Cft. |
| | | | | | Total = | 131.64 Cft. |
| <u>Deduction</u> | | | | | | |
| C-1 | 8 | | 1.25 ft. x | 0.83 ft. x | 3.00 ft = | -24.90 Cft. |
| Tie beam | 2 | | 18.33 ft. x | 0.83 ft. x | 0.66 ft = | -20.08 Cft. |
| | | | | | Total deduction = | -44.98 Cft. |
| <u>Add for Plinth</u> | | | | | | |
| Inside factory | 1 | | 38.33 ft. x | 18.33 ft. x | 1.66 ft = | 1166.29 Cft. |
| | | | | | Total = | 1166.29 Cft. |
| | | | | | Net Total = | 1252.95 Cft. 35.450 Cum. |

3 Cement concrete (1:3:6)with 40mm size CBHG metal including cost, conveyance and royalty etc. complete as per direction of Engg.-in-Charge.

| | | | | | | |
|-----------------|---|--------------|------------|-----------|--------|------|
| Open foundation | 1 | 116.64 ft. x | 2.00 ft. x | 0.50 ft = | 116.64 | Cft. |
| Step | 2 | 5.00 ft. x | 3.00 ft. x | 0.50 ft = | 15.00 | Cft. |

Total = 131.64 Cft.

Deduction

| | | | | | | |
|----------|---|-------------|------------|-----------|--------|------|
| C1 | 8 | 1.25 ft. x | 0.83 ft. x | 0.50 ft = | -4.15 | Cft. |
| Tie beam | 2 | 18.33 ft. x | 0.83 ft. x | 0.33 ft = | -10.04 | Cft. |

Total = -14.19 Cft.

Add for Flooring

| | | | | | | |
|----------------|---|-------------|-------------|-----------|--------|------|
| Inside factory | 1 | 38.33 ft. x | 18.33 ft. x | 0.33 ft = | 231.85 | Cft. |
|----------------|---|-------------|-------------|-----------|--------|------|

Total = 231.85 Cft.

Net Total = 349.30 Cft.

9.880 Cum.

4 Fly Ash Brick masonry in c.m. 1:6 in F & P including cost, conveyance and royalty of materials curing etc. complete. as per the direction of the Engineer-in-charge.

| | | | | | | |
|-------------|---|--------------|------------|-----------|--------|------|
| 1st Footing | 1 | 116.64 ft. x | 1.66 ft. x | 0.83 ft = | 160.70 | Cft. |
| 2nd Footing | 1 | 116.64 ft. x | 1.25 ft. x | 1.16 ft = | 169.12 | Cft. |

Steps

| | | | | | | |
|-------|---|------------|------------|-----------|-------|------|
| Steps | 2 | 5.00 ft. x | 3.00 ft. x | 0.66 ft = | 19.80 | Cft. |
| " | 2 | 5.00 ft. x | 2.00 ft. x | 0.66 ft = | 13.20 | Cft. |
| " | 2 | 5.00 ft. x | 1.00 ft. x | 0.66 ft = | 6.60 | Cft. |

Total = 369.42 Cft.

Deduction :-

| | | | | | | |
|----------------|---|------------|------------|-----------|-------|------|
| Column Portion | | | | | | |
| C-1 | 8 | 0.83 ft. x | 0.83 ft. x | 1.66 ft = | -9.15 | Cft. |

-9.15 Cft.

Net Total= 360.27 Cft.

10.190 Cum.

5 1st class Fly Ash brick masonry work in superstructure thoroughly soaked in water, with cement mortar (1:6) including scaffoldings ,racking out joints, curing etc complete as per specification/drawing and as per the direction of the Engineer-in-charge.

| | | | | | | |
|------------------|---|--------------|------------|-----------|--------|------|
| 10 " wall | 1 | 116.64 ft. x | 0.83 ft. x | 9.00 ft = | 871.30 | Cft. |
|------------------|---|--------------|------------|-----------|--------|------|

Total = 871.30 Cft.

Deduction (-)

| | | | | | | |
|------------|---|------------|------------|-----------|--------|------|
| Column C-1 | 8 | 0.83 ft. x | 0.83 ft. x | 9.00 ft = | -49.60 | Cft. |
|------------|---|------------|------------|-----------|--------|------|

Door

| | | | | | | |
|---|---|------------|------------|-----------|--------|------|
| D | 2 | 4.00 ft. x | 0.83 ft. x | 7.00 ft = | -46.48 | Cft. |
|---|---|------------|------------|-----------|--------|------|

| | | | | | | | |
|-----------------|---|--------------|------------|-----------|---------|------|--------------------|
| W | 4 | 5.00 ft. x | 0.83 ft. x | 4.50 ft = | -74.70 | Cft. | |
| Lintel | | | | | | | |
| 10" wall | 1 | 116.64 ft. x | 0.83 ft. x | 0.50 ft = | -48.41 | Cft. | |
| | | | | Total = | -219.19 | Cft. | |
| | | | | Net | 652.11 | Cft. | 18.450 Cum. |

6 Providing and Laying reinforcement Cement concrete (M-20) with 20 mm and down graded chips including cost all materials,labours,T & P,curing etc complete (excluding the cost of reinforcement & Centering, shuttering) as per direction of Engineer-in-charge.

Ground floor

(i) Column Base

| | | | | | | | |
|---------------|---|------------|------------|-----------|--------|------|-------------------|
| Footing F1-C1 | 8 | 3.50 ft. x | 3.50 ft. x | 1.00 ft = | 98.00 | Cft. | |
| " | 8 | 1.25 ft. x | 0.83 ft. x | 3.00 ft = | 24.90 | Cft. | |
| | | | | Total= | 122.90 | Cft. | 3.470 Cum. |

(ii) Plinth Beam

| | | | | | | | |
|------------|---|-------------|------------|-----------|--------|------|-------------------|
| Horizontal | 2 | 39.16 ft. x | 0.83 ft. x | 1.00 ft = | 65.00 | Cft. | |
| Vertical | 4 | 19.16 ft. x | 0.83 ft. x | 1.00 ft = | 63.61 | Cft. | |
| | | | | | 128.61 | Cft. | 3.630 Cum. |

(iii) Column & Beam

| | | | | | | | |
|----------------------|---|-------------|------------|-----------|--------|------|-------------------|
| C-1 | 8 | 1.25 ft. x | 0.83 ft. x | 9.00 ft = | 74.70 | Cft. | |
| Deduction : - | | | | | | | |
| C-1 | 8 | 0.83 ft. x | 0.83 ft. x | 0.50 ft = | -2.76 | Cft. | |
| Roof Beam | | | | | | | |
| Horizontal | 2 | 49.16 ft. x | 0.83 ft. x | 1.00 ft = | 81.60 | Cft. | |
| Vertical | 4 | 19.16 ft. x | 0.83 ft. x | 1.00 ft = | 63.61 | Cft. | |
| | | | | Total = | 217.15 | Cft. | 6.140 Cum. |

(iv) 65mm avg. Chajja & windows seal

| | | | | | | | |
|---|---|-----|------------|-----------|-------|------|-------------------|
| W | 4 | 2 x | 5.50 ft. x | 1.00 ft = | 44.00 | Sft. | |
| | | | | | 44.00 | Sft. | 4.080 Sqm. |

(vi) Roof Slab

| | | | | | | | |
|-----------|---|-------------|-------------|------------|--------|------|-------------------|
| Roof Slab | 1 | 40.00 ft. x | 20.00 ft. x | 0.41 ft = | 328.00 | Cft. | |
| | | | | Net Total= | 328.00 | Cft. | 9.280 Cum. |

(vii) Lintel

| | | | | | | | |
|-----------------|---|--------------|------------|-----------|-------|------|-------------------|
| 10" wall | 1 | 116.64 ft. x | 0.83 ft. x | 0.50 ft = | 48.41 | Cft. | |
| | | | | Total = | 48.41 | Cft. | 1.360 Cum. |

7 Supplying, fitting and placing uncoated HYSD bar reinforcement complete in proper position including cost of binding wire 18 to 20 gauge as per direction of Engg.-in-Charge.

| | | | | | |
|---------------------|--------|---------|-------|-----|--------------------|
| (i) Column Base | 3.470 | #1.0 | 3.47 | qtl | |
| | | QtI/Cum | | | |
| (ii) Tie Beam | 3.630 | # 1.20 | 4.36 | qtl | |
| | | QtI/Cum | | | |
| (iii) Column & Beam | 6.140 | # 1.76 | 10.81 | qtl | |
| | | QtI/Cum | | | |
| (iv) Chajja | 0.265 | #0.50 | 0.13 | qtl | |
| | | QtI/Cum | | | |
| (v) Roof Slab | 9.280 | #0.90 | 8.35 | qtl | |
| | | QtI/Cum | | | |
| (vi) Lintel | 1.360 | #1.2 | 1.63 | qtl | |
| | | QtI/Cum | | | |
| | 24.145 | Cft. | 28.75 | qtl | 28.749 Qtl. |
| Avg steel 1.19% | | | | | |

8 12mm cement plaster in cement mortar (1:6)including necessary scaffolding curing etc. as per direction of Engg.-in-Charge.

| | | | | | |
|---------------------|---|-------------|------------|-----------|--------|
| Out side wall | | | | | |
| Front | 2 | 40.00 ft. x | 13.00 ft = | 1040.00 | Sft. |
| Side | 2 | 20.00 ft. x | 13.00 ft = | 520.00 | " |
| | | | Total = | 1560.00 | Sft. |
| <u>Deduction</u> | | | | | |
| W | 4 | 0.50 x | 5.00 ft. x | 4.50 ft = | -45.00 |
| D | 2 | 0.50 x | 4.00 ft. x | 7.00 ft = | -28.00 |
| | | | | -73.00 | Sft. |
| | | | Net | 1487.00 | Sft. |
| 138.150 Sqm. | | | | | |

9 16mm thick cement plaster in cement mortar (1:6) including necessary scaffolding curing etc. as per direction of Engg.-in-Charge.

| | | | | | |
|--------------------|-----|-------------|------------|-----------|-------------|
| Inside | | | | | |
| Factory | 2 x | 38.33 ft. x | 10.00 ft = | 766.60 | Sft. |
| " | 2 x | 18.33 ft. x | 10.00 ft = | 366.60 | Sft. |
| | | | Total = | 1133.20 | Sft. |
| <u>Deduction</u> | | | | | |
| D | 2 x | 0.50 x | 4.00 ft. x | 7.00 ft = | -28.00 Sft. |
| W | 4 x | 0.50 x | 5.00 ft. x | 4.50 ft = | -45.00 Sft. |
| | | | Total (-) | -73.00 | Sft |
| | | | Net = | 1060.20 | Sft |
| 98.500 Sqm. | | | | | |

10 6mm.thick cement plaster with C.M(1:4) to RCC surface including closed deep chipping and slury treatment etc. complete as per direction of Engg.-in-Charge.

inside

| | | | | | |
|----------------|-----|-------------|------------|---------------------|--------------------|
| Factory | 1 x | 38.33 ft. x | 18.33 ft = | 702.59 Sft. | |
| i Inside | | | | | |
| Beam side | 2 x | 18.33 ft. x | 2.00 ft = | 73.32 Sft. | |
| Column portion | | | | | |
| C-1 side | 4 x | 0.83 ft. x | 10.00 ft = | 33.20 Sft. | |
| | | | | A = | 809.11 Sft. |
| | | | | | 75.170 Sqm. |
| ii outside | | | | | |
| Chajja | | | | | |
| W | 4 x | 4 x | 5.50 ft. x | 1.00 ft = | 88.00 Sft. |
| | | | | B = | 88.00 Sft. |
| | | | | | 8.170 Sqm. |
| | | | | Total (A+B)= | 897.11 Sft. |
| | | | | | 83.350 Sqm. |

11 2.5cm. thick A.S.Flooring with C.C.1:2:4 using 12mm. size HBG crusher broken chips including punning, cost, conveyance and royalty of materials curing etc. complete as per direction of Engg-in-Charge .

| | | | | | |
|---------|---|-------------|------------|----------------|--------------------|
| Factory | 1 | 38.33 ft. x | 18.33 ft = | 702.59 Sft. | |
| | | | | Total = | 702.59 Sft. |
| | | | | | 65.270 Sqm. |

12 Cement washing two coats with cost of all labour & materials etc. complete as per direction of Engg-in-Charge .

| | | | |
|------------------------------|----------------|--------------------|---------------------|
| Same as 12 mm cement plaster | 8 = | 138.15 Sqm. | |
| Same as 16 mm cement plaster | 9 = | 98.50 Sqm. | |
| Same as 6 mm cement plaster | 10 = | 83.35 Sqm. | |
| | Total = | 320.00 Sqm. | 320.000 Sqm. |

13 Finishing walls with water proofing cement paint of aoroved shade on new work two coats to give an even shade excluding cost of paint etc. complete as per direction of Engg-in-Charge .

| | | | |
|---------------------|----------------|--------------------|---------------------|
| Same as cement wash | Total = | 320.00 Sqm. | 320.000 Sqm. |
|---------------------|----------------|--------------------|---------------------|

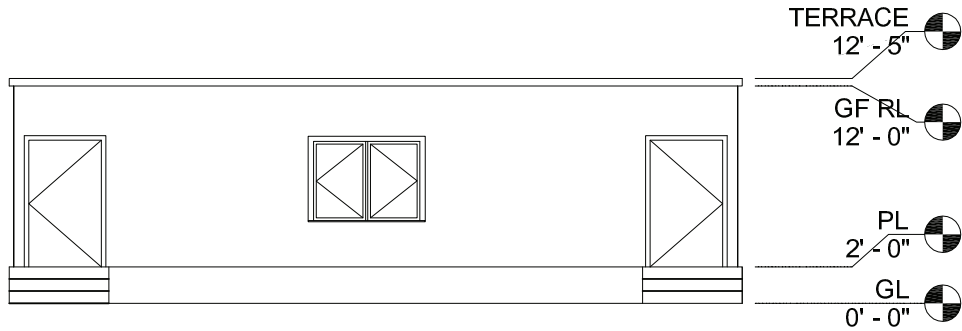
14 Supplying and fixing of steel M.S. grill with all fitting and fixtures including cost of cutting holes in the brick masonry and R.C.C. columns and making good to damage etc, as per direction of Engineer -in - charge.

| | | | | | |
|---|-----|------------|-----------|---------------------|--------------------|
| D | 2 x | 4.00 ft. x | 7.00 ft = | 56.00 Sft. | |
| W | 4 x | 5.00 ft. x | 4.50 ft = | 90.00 Sft. | |
| | | | | Total = | 146.00 Sft. |
| | | | | 3.5 Kg/sft = | 511.000 Kg. |

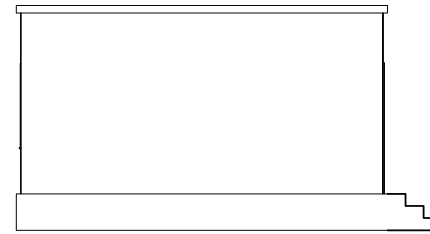
15 Enamel Painting two coats with enamel paint over one coat of primer of approved quality etc. complete as per direction of Engg-in-Charge .

| | | | | | | |
|---|-----|--------|------------|-----------|--------------|------|
| D | 2 x | 0.50 x | 4.00 ft. x | 7.00 ft = | 28.00 | Sft. |
| W | 4 x | 0.50 x | 5.00 ft. x | 4.50 ft = | <u>45.00</u> | Sft. |
| | | | | Total = | 73.00 | Sft. |

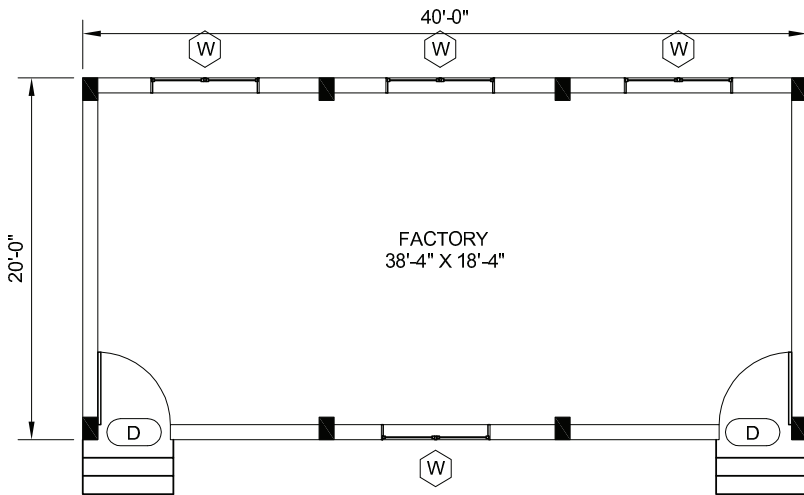
6.780 Sqm.



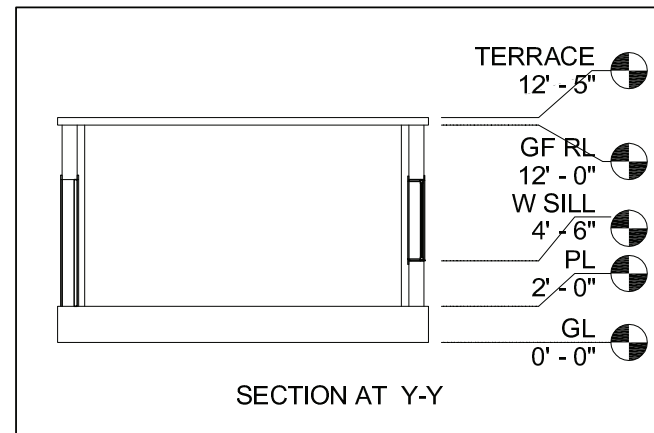
FRONT ELEVATION



LEFT SIDE ELEVATION



PLAN



SECTION AT Y-Y

- NOTE :-
1. THE DRAWING SHALL BE READ AND THE DIMENSIONS MUST BE FOLLOWED.
 2. THIS DRAWING IS READ IN CONJUNCTION WITH RELEVANT ARCHITECTURAL, STRUCTURAL AND ALL SERVICES DRAWINGS.
 3. ANY DISCREPANCY, IF SO SHALL BE IMMEDIATELY BROUGHT TO THE NOTICE OF THE CONSULTANTS BEFORE START OF CONSTRUCTION WORK.
 4. ALL P.C.C WORK SHOULD BE M-15 GARDE CONCRETE.
 5. ALL R.C.C WORK SHOULD BE M-20 GARDE CONCRETE.
 6. GRADE OF STEEL Fe-415(H.Y.S.D.BARS) LAP LENGTH AND ANCHORAGE LENGTH (Ld) TO BE PROVIDED 50D.
 7. CLEAR COVER TO REINFORCEMENT SHOULD BE :
FOUNDATION - 50MM
COLUMN - 40MM
BEAM - 25MM
SLAB - 15MM

| SCHEDULE OF DOORS & WINDOWS | | | | |
|-----------------------------|------|-------|-------|-----------|
| S.L. NO | TYPE | B | H | SILL LEV. |
| 1 | D | 4'-0" | 7'-0" | - |
| 2 | DI | 3'-6" | 7'-0" | - |
| 3 | W | 3'-0" | 7'-0" | - |
| 4 | W | 5'-0" | 4'-6" | 2'-6" |
| 5 | V | 4'-0" | 4'-6" | 5'-0" |
| 6 | V | 2'-0" | 2'-0" | 5'-0" |

AGENCY NAME :-
Proposed Building of CFC-7 at Grameswar, Ariyan
(Coir Yarn making, Mat making, Handicrafts) of
Satyabadi Block, Dist-Puri.

SHEET TITLE :-
PLAN & ELEVATION

| PROJECT NO | | |
|------------|--|--|
| 01 | | |

Project Management Consultant
D:\Users\user\Desktop\WBES copy.xls & Consulting Engineer.

CONSULTANT
MADHUSMITA DESIGN & ENGINEERS STUDIO
2936, NEAR NAGESWAR TEMPLE, NAGESWAR
TANGI, RAVI TALKIES, BHUBANESWAR-751002
PH-0674-243437(O), 9861092612(M),
email - mdsstudio12@gmail.com , pmssahu11@gmail.com
PAN-ABBFM0485D, GSTIN-21ABBFM0485D1ZU

STRUCTURAL ENGINEER
Er. PREM PRAKASH SAHU c. Eng., M.ASCE
M. Tech(Structural Engg.)
PGDM(Infra. Mang.), PG Dip. Urban Plan. & Dev.
Member Indian Building Congress M No. - (OM-8001)

DESIGNED BY
Er. PREM PRAKASH SAHU

DRAWN BY
Er. ASIT KUMAR SETHI

TECHNICAL DATA :-
AREA :-
GROUND FLOOR AREA - 800 Sqft.

TOTAL AREA - 800 Sqft.

PROJECT TITLE :-
Proposed Building of CFC-7 at Grameswar, Ariyan
(Coir Yarn making, Mat making, Handicrafts) of
Satyabadi Block, Dist-Puri.

| DATE | SCALE | SHEET NO. |
|------|--------------|-----------|
| | 1/8" = 1'-0" | 1 |

**Details estimate for Construction of Building of CFC-7 at Grameswar,
Ariyan(Coир Yarn making, mat making, Handicrafts) of Satyabadi Block, Dist-
Puri.**

(GROUND FLOOR)

(Center line Method)

| | | | | | | |
|---------------------|-------|-------|----------------|-------|-----------|----------|
| horizontal line | 2 | x | 39.16 Rft. | = | 78.32 | Rft. |
| Vertical line | 4 | x | 19.16 Rft. | = | 76.64 | Rft. |
| | | | | = | 154.96 | Rft. |
| Open foundation | 2 | x | 39.16 Rft. | = | 78.32 | Rft. |
| | 2 | x | 19.16 Rft. | = | 38.32 | Rft. |
| | | | | = | 116.64 | Rft. |

1 Foundation excavation in hard soil including leveling and dressing the bed and sides depositing muck within initial lead and lift etc. complete. as per direction of Engg.-in-Charge.

| | | | | | | |
|-------------------------|---|--------------|------------|------------|---------|-------------------------|
| Open foundation | 1 | 116.64 ft. x | 2.00 ft. x | 2.00 ft = | 466.56 | Cft. |
| Footing F1-C1 | 8 | 4.00 ft. x | 4.00 ft. x | 4.00 ft = | 512.00 | " |
| Step | 2 | 5.00 ft. x | 3.00 ft. x | 1.00 ft = | 30.00 | " |
| <u>Deduction</u> | | | | | | |
| Footing F1-C1 | 8 | 4.00 ft. x | 2.00 ft. x | 2.00 ft = | -128.00 | Cft. |
| | | | | Total = | 880.56 | Cft. |
| | | | | Net Total= | 880.56 | Cft. 24.910 Cum. |

2 Filling foundation and plinth with sand and well watered and rammed including cost, conveyance and royalty etc complete as per direction of Engg.-in-Charge.

| | | | | | | |
|------------------------------|---|--------------|-------------|-------------------|---------|-------------------------|
| Open foundation | 1 | 116.64 ft. x | 2.00 ft. x | 0.50 ft = | 116.64 | Cft. |
| Step | 2 | 5.00 ft. x | 3.00 ft. x | 0.50 ft = | 15.00 | Cft. |
| | | | | Total = | 131.64 | Cft. |
| <u>Deduction</u> | | | | | | |
| C-1 | 8 | 1.25 ft. x | 0.83 ft. x | 3.00 ft = | -24.90 | Cft. |
| Tie beam | 2 | 18.33 ft. x | 0.83 ft. x | 0.66 ft = | -20.08 | Cft. |
| | | | | Total deduction = | -44.98 | Cft. |
| <u>Add for Plinth</u> | | | | | | |
| Inside factory | 1 | 38.33 ft. x | 18.33 ft. x | 1.66 ft = | 1166.29 | Cft. |
| | | | | Total = | 1166.29 | Cft. |
| | | | | Net Total = | 1252.95 | Cft. 35.450 Cum. |

3 Cement concrete (1:3:6)with 40mm size CBHG metal including cost, conveyance and royalty etc. complete as per direction of Engg.-in-Charge.

| | | | | | | |
|-----------------|---|--------------|------------|-----------|--------|------|
| Open foundation | 1 | 116.64 ft. x | 2.00 ft. x | 0.50 ft = | 116.64 | Cft. |
| Step | 2 | 5.00 ft. x | 3.00 ft. x | 0.50 ft = | 15.00 | Cft. |

Total = 131.64 Cft.

Deduction

| | | | | | | |
|----------|---|-------------|------------|-----------|--------|------|
| C1 | 8 | 1.25 ft. x | 0.83 ft. x | 0.50 ft = | -4.15 | Cft. |
| Tie beam | 2 | 18.33 ft. x | 0.83 ft. x | 0.33 ft = | -10.04 | Cft. |

Total = -14.19 Cft.

Add for Flooring

| | | | | | | |
|----------------|---|-------------|-------------|-----------|--------|------|
| Inside factory | 1 | 38.33 ft. x | 18.33 ft. x | 0.33 ft = | 231.85 | Cft. |
|----------------|---|-------------|-------------|-----------|--------|------|

Total = 231.85 Cft.

Net Total = 349.30 Cft.

9.880 Cum.

4 Fly Ash Brick masonry in c.m. 1:6 in F & P including cost, conveyance and royalty of materials curing etc. complete. as per the direction of the Engineer-in-charge.

| | | | | | | |
|-------------|---|--------------|------------|-----------|--------|------|
| 1st Footing | 1 | 116.64 ft. x | 1.66 ft. x | 0.83 ft = | 160.70 | Cft. |
| 2nd Footing | 1 | 116.64 ft. x | 1.25 ft. x | 1.16 ft = | 169.12 | Cft. |

Steps

| | | | | | | |
|-------|---|------------|------------|-----------|-------|------|
| Steps | 2 | 5.00 ft. x | 3.00 ft. x | 0.66 ft = | 19.80 | Cft. |
| " | 2 | 5.00 ft. x | 2.00 ft. x | 0.66 ft = | 13.20 | Cft. |
| " | 2 | 5.00 ft. x | 1.00 ft. x | 0.66 ft = | 6.60 | Cft. |

Total = 369.42 Cft.

Deduction :-

| | | | | | | |
|----------------|---|------------|------------|-----------|-------|------|
| Column Portion | | | | | | |
| C-1 | 8 | 0.83 ft. x | 0.83 ft. x | 1.66 ft = | -9.15 | Cft. |

-9.15 Cft.

Net Total= 360.27 Cft.

10.190 Cum.

5 1st class Fly Ash brick masonry work in superstructure thoroughly soaked in water, with cement mortar (1:6) including scaffoldings ,racking out joints, curing etc complete as per specification/drawing and as per the direction of the Engineer-in-charge.

| | | | | | | |
|------------------|---|--------------|------------|-----------|--------|------|
| 10 " wall | 1 | 116.64 ft. x | 0.83 ft. x | 9.00 ft = | 871.30 | Cft. |
|------------------|---|--------------|------------|-----------|--------|------|

Total = 871.30 Cft.

Deduction (-)

| | | | | | | |
|------------|---|------------|------------|-----------|--------|------|
| Column C-1 | 8 | 0.83 ft. x | 0.83 ft. x | 9.00 ft = | -49.60 | Cft. |
|------------|---|------------|------------|-----------|--------|------|

Door

| | | | | | | |
|---|---|------------|------------|-----------|--------|------|
| D | 2 | 4.00 ft. x | 0.83 ft. x | 7.00 ft = | -46.48 | Cft. |
|---|---|------------|------------|-----------|--------|------|

| | | | | | | | |
|-----------------|---|--------------|------------|-----------|---------|------|--------------------|
| W | 4 | 5.00 ft. x | 0.83 ft. x | 4.50 ft = | -74.70 | Cft. | |
| Lintel | | | | | | | |
| 10" wall | 1 | 116.64 ft. x | 0.83 ft. x | 0.50 ft = | -48.41 | Cft. | |
| | | | | Total = | -219.19 | Cft. | |
| | | | | Net | 652.11 | Cft. | 18.450 Cum. |

6 Providing and Laying reinforcement Cement concrete (M-20) with 20 mm and down graded chips including cost all materials,labours,T & P,curing etc complete (excluding the cost of reinforcement & Centering, shuttering) as per direction of Engineer-in-charge.

Ground floor

(i) Column Base

| | | | | | | | |
|---------------|---|------------|------------|-----------|--------|------|-------------------|
| Footing F1-C1 | 8 | 3.50 ft. x | 3.50 ft. x | 1.00 ft = | 98.00 | Cft. | |
| " | 8 | 1.25 ft. x | 0.83 ft. x | 3.00 ft = | 24.90 | Cft. | |
| | | | | Total= | 122.90 | Cft. | 3.470 Cum. |

(ii) Plinth Beam

| | | | | | | | |
|------------|---|-------------|------------|-----------|--------|------|-------------------|
| Horizontal | 2 | 39.16 ft. x | 0.83 ft. x | 1.00 ft = | 65.00 | Cft. | |
| Vertical | 4 | 19.16 ft. x | 0.83 ft. x | 1.00 ft = | 63.61 | Cft. | |
| | | | | | 128.61 | Cft. | 3.630 Cum. |

(iii) Column & Beam

| | | | | | | | |
|----------------------|---|-------------|------------|-----------|--------|------|-------------------|
| C-1 | 8 | 1.25 ft. x | 0.83 ft. x | 9.00 ft = | 74.70 | Cft. | |
| Deduction : - | | | | | | | |
| C-1 | 8 | 0.83 ft. x | 0.83 ft. x | 0.50 ft = | -2.76 | Cft. | |
| Roof Beam | | | | | | | |
| Horizontal | 2 | 49.16 ft. x | 0.83 ft. x | 1.00 ft = | 81.60 | Cft. | |
| Vertical | 4 | 19.16 ft. x | 0.83 ft. x | 1.00 ft = | 63.61 | Cft. | |
| | | | | Total = | 217.15 | Cft. | 6.140 Cum. |

(iv) 65mm avg. Chajja & windows seal

| | | | | | | | |
|---|---|-----|------------|-----------|-------|------|-------------------|
| W | 4 | 2 x | 5.50 ft. x | 1.00 ft = | 44.00 | Sft. | |
| | | | | | 44.00 | Sft. | 4.080 Sqm. |

(vi) Roof Slab

| | | | | | | | |
|-----------|---|-------------|-------------|------------|--------|------|-------------------|
| Roof Slab | 1 | 40.00 ft. x | 20.00 ft. x | 0.41 ft = | 328.00 | Cft. | |
| | | | | Net Total= | 328.00 | Cft. | 9.280 Cum. |

(vii) Lintel

| | | | | | | | |
|-----------------|---|--------------|------------|-----------|-------|------|-------------------|
| 10" wall | 1 | 116.64 ft. x | 0.83 ft. x | 0.50 ft = | 48.41 | Cft. | |
| | | | | Total = | 48.41 | Cft. | 1.360 Cum. |

7 Supplying, fitting and placing uncoated HYSD bar reinforcement complete in proper position including cost of binding wire 18 to 20 gauge as per direction of Engg.-in-Charge.

| | | | | | |
|---------------------|---------------|--------|--------------|--------|--------------------|
| (i) Column Base | 3.470 | #1.0 | 3.47 | Qt/Cum | qtl |
| (ii) Tie Beam | 3.630 | # 1.20 | 4.36 | Qt/Cum | qtl |
| (iii) Column & Beam | 6.140 | # 1.76 | 10.81 | Qt/Cum | qtl |
| (iv) Chajja | 0.265 | #0.50 | 0.13 | Qt/Cum | qtl |
| (v) Roof Slab | 9.280 | #0.90 | 8.35 | Qt/Cum | qtl |
| (vi) Lintel | 1.360 | #1.2 | 1.63 | Qt/Cum | qtl |
| | <u>24.145</u> | Cft. | <u>28.75</u> | | qtl |
| Avg steel 1.19% | | | | | |
| | | | | | 28.749 Qtl. |

8 12mm cement plaster in cement mortar (1:6)including necessary scaffolding curing etc. as per direction of Engg.-in-Charge.

| | | | | | |
|------------------|---|-------------|------------|---------------|---------------------|
| Out side wall | | | | | |
| Front | 2 | 40.00 ft. x | 13.00 ft = | 1040.00 | Sft. |
| Side | 2 | 20.00 ft. x | 13.00 ft = | <u>520.00</u> | " |
| | | | | Total = | 1560.00 Sft. |
| <u>Deduction</u> | | | | | |
| W | 4 | 0.50 x | 5.00 ft. x | 4.50 ft = | -45.00 |
| D | 2 | 0.50 x | 4.00 ft. x | 7.00 ft = | <u>-28.00</u> |
| | | | | | <u>-73.00</u> |
| | | | | Net | 1487.00 Sft. |
| | | | | | 138.150 Sqm. |

9 16mm thick cement plaster in cement mortar (1:6) including necessary scaffolding curing etc. as per direction of Engg.-in-Charge.

| | | | | | |
|------------------|-----|-------------|------------|---------------|--------------------|
| Inside | | | | | |
| Factory | 2 x | 38.33 ft. x | 10.00 ft = | 766.60 | Sft. |
| " | 2 x | 18.33 ft. x | 10.00 ft = | <u>366.60</u> | Sft. |
| | | | | Total = | 1133.20 Sft. |
| <u>Deduction</u> | | | | | |
| D | 2 x | 0.50 x | 4.00 ft. x | 7.00 ft = | -28.00 Sft. |
| W | 4 x | 0.50 x | 5.00 ft. x | 4.50 ft = | <u>-45.00</u> |
| | | | | Total (-) | <u>-73.00</u> |
| | | | | Net = | 1060.20 Sft |
| | | | | | 98.500 Sqm. |

10 6mm.thick cement plaster with C.M(1:4) to RCC surface including closed deep chipping and slury treatment etc. complete as per direction of Engg.-in-Charge.

inside

| | | | | | |
|----------------|-----|-------------|----------------------|---------------------|--------------------|
| Factory | 1 x | 38.33 ft. x | 18.33 ft = | 702.59 Sft. | |
| i Inside | | | | | |
| Beam side | 2 x | 18.33 ft. x | 2.00 ft = | 73.32 Sft. | |
| Column portion | | | | | |
| C-1 side | 4 x | 0.83 ft. x | 10.00 ft = | 33.20 Sft. | |
| | | | | A = | 809.11 Sft. |
| | | | | | 75.170 Sqm. |
| ii outside | | | | | |
| Chajja | | | | | |
| W | 4 x | 4 x | 5.50 ft. x 1.00 ft = | 88.00 Sft. | |
| | | | | B = | 88.00 Sft. |
| | | | | | 8.170 Sqm. |
| | | | | Total (A+B)= | 897.11 Sft. |
| | | | | | 83.350 Sqm. |

11 2.5cm. thick A.S.Flooring with C.C.1:2:4 using 12mm. size HBG crusher broken chips including punning, cost, conveyance and royalty of materials curing etc. complete as per direction of Engg-in-Charge .

| | | | | | |
|---------|---|-------------|------------|----------------|--------------------|
| Factory | 1 | 38.33 ft. x | 18.33 ft = | 702.59 Sft. | |
| | | | | Total = | 702.59 Sft. |
| | | | | | 65.270 Sqm. |

12 Cement washing two coats with cost of all labour & materials etc. complete as per direction of Engg-in-Charge .

| | | | |
|------------------------------|----------------|--------------------|---------------------|
| Same as 12 mm cement plaster | 8 = | 138.15 Sqm. | |
| Same as 16 mm cement plaster | 9 = | 98.50 Sqm. | |
| Same as 6 mm cement plaster | 10 = | 83.35 Sqm. | |
| | Total = | 320.00 Sqm. | 320.000 Sqm. |

13 Finishing walls with water proofing cement paint of aoroved shade on new work two coats to give an even shade excluding cost of paint etc. complete as per direction of Engg-in-Charge .

| | | | |
|---------------------|----------------|--------------------|---------------------|
| Same as cement wash | Total = | 320.00 Sqm. | 320.000 Sqm. |
|---------------------|----------------|--------------------|---------------------|

14 Supplying and fixing of steel M.S. grill with all fitting and fixtures including cost of cutting holes in the brick masonry and R.C.C. columns and making good to damage etc, as per direction of Engineer -in - charge.

| | | | | | |
|---|-----|------------|-----------|---------------------|--------------------|
| D | 2 x | 4.00 ft. x | 7.00 ft = | 56.00 Sft. | |
| W | 4 x | 5.00 ft. x | 4.50 ft = | 90.00 Sft. | |
| | | | | Total = | 146.00 Sft. |
| | | | | 3.5 Kg/sft = | 511.000 Kg. |

15 Enamel Painting two coats with enamel paint over one coat of primer of approved quality etc. complete as per direction of Engg-in-Charge .

| | | | | | | |
|---|-----|--------|------------|-----------|--------------|------|
| D | 2 x | 0.50 x | 4.00 ft. x | 7.00 ft = | 28.00 | Sft. |
| W | 4 x | 0.50 x | 5.00 ft. x | 4.50 ft = | <u>45.00</u> | Sft. |
| | | | | Total = | 73.00 | Sft. |

6.780 Sqm.

PART-I

Date: _____

From,

Name:
Address:
Ph:
Fax:
E-mail:

To,

The Secretary,
M/s.Jaya Durga Mahila Samity,
Post Balapur, Via Satasankha,
PS Sathyabadi, Puri District,
Odisha - 752046

Sir,

Sub: Tender for the construction of Industrial Work shed buildings and amenities for Radharani Coir Cluster, Puri (Package Number: _____) - Submission of Part I - Reg

Ref: Your Tender Notice Dt.

With reference to your tender notice, we submit herewith our sealed Tender for the construction of Industrial Work shed buildings and amenities for Radharani Coir Cluster, Puri, as specified by IA in this tender document.

We enclose the following documents:

- 1) Tender conditions duly signed in each page and enclosed in token of accepting the Tender conditions
- 2) Demand Draft no. _____ for Rs. _____ /- (Rupees _____ only), in favour of "Jayadurga Mahila Samiti", Drawn on _____ Bank payable at Puri, towards Earnest Money Deposit.
- 3) Authorization letter from the Company for the person to sign the tender.
- 4) Details of the Tenderer (as per Annexure-III)
- 5) Average annual turnover statement duly certified by a Chartered Accountant (as per Annexure-IV).
- 6) List of Building construction works executed in last 3 years as per Annexure-V
- 7) Declaration for not having black listed by any other Govt. agencies (as per Annexure-VI).
- 8) Declaration for not having tampered the Tender documents downloaded from the websites **www.coirboard.gov.in** or **www.itcot.com** (Annexure-VII).

- 9) The copy of certificate of incorporation/registration (If applicable)
- 10) Copy of Memorandum and Articles of Association (If applicable)
- 11) Copy of Registered Partnership deed, in case of Partnership Firm (If applicable)
- 12) Copy of Udyog Aadhaar, GST Registration Certificate & PAN Card
- 13) Valid Registration Certificate from PWD as Group A/ Group B Contractor or from Highways department
- 14) Work Orders issued by the clients.
- 15) Performance certificate issued by the clients.
- 16) The Annual Report / certified copies of Balance Sheet, Profit & Loss statement along with schedules for the last 3 consecutive financial years FY 2016-17, 2017-18 and 2018-19.
- 17) Latest I.T return.
- 18) Notarized translated English version of the documents in a language other than English/Odia, if any.

Yours faithfully,

SIGNATURE OF THE TENDERER

Encl: As stated above

ANNEXURE - III**DETAILS OF THE TENDERER**

| | |
|--|--|
| 1. Name of the Tenderer | |
| 2. Registered Office Address | Telephone Number: Fax : Email : Website, if any |
| 3. Contact Person | Name: Designation: Phone: Mobile: Email: |
| 4. Date of Incorporation | |
| 5. Legal Status | Proprietorship/partnership/Pvt. Limited/Public Limited/ others(Pl. mention) |
| 6. Eligible license holder of | |
| 7. Brief profile of the tenderer | |
| 8. Number of staffs on regular payroll | Technical: Administration: |
| 9. PAN Number | |
| 10. GST Registration Number | |

SIGNATURE OF THE TENDERER
(with seal and address)

ANNUAL TURN OVER STATEMENT

The Annual turnover of M/s for the past three years are given below and certified that the statement is true and correct.

| S.no | Year | Turnover (Rs. in lakh) |
|-------------------------|-------------|-----------------------------------|
| 1 | 2016-2017 | |
| 2 | 2017-2018 | |
| 3 | 2018-2019 | |
| | Total | |
| Average annual turnover | | |

DATE :

SIGNATURE OF THE TENDERER

**SIGNATURE OF CHARTERED ACCOUNTANT
(with seal and Address)**

ANNEXURE - V

List of clients for whom Civil construction works undertaken in the past 3 years

(Please provide the details for each project in separate sheet along with work Order/completion certificate from client)

| S.No | Name & Address of the Client | Details of Work | Extent/Area covered in Sq.ft | Year of Completion | Cost (Rs.in Lakhs) | Work Order & Completion certificate enclosed (Yes/No) |
|-------------|---|------------------------|-------------------------------------|---------------------------|---------------------------|--|
| 1. | | | | | | |
| 2. | | | | | | |
| 3. | | | | | | |
| 4. | | | | | | |
| 5. | | | | | | |
| 6. | | | | | | |
| 7. | | | | | | |
| 8. | | | | | | |
| 9. | | | | | | |
| 10. | | | | | | |

SIGNATURE OF THE TENDERER
(with seal and address)

CERTIFICATE

Date: _____

Certified that M/s...../ the firm /company or its partners / share holders had not been blacklisted by any Government Agencies.

SIGNATURE OF THE TENDERER
(with seal and address)

DECLARATION FORM

Date: _____

a) I/We having our office at do declare that I/We have carefully read all the conditions of tender sent to me/us by the M/s.Jaya Durga Mahila Samity for the tenders floated vide tender ref.no._____ for the construction of Industrial Work shed buildings and amenities for Radharani Coir Cluster, Puri and will complete the contract as per the tender conditions.

b) I/We have downloaded the tender document from the internet site **www.coirboard.gov.in** or **www.itcot.com** and I/We have not tampered / modified the tender document in any manner. In case, if the same is found to be tampered / modified, I/ We understand that my/our tender will be summarily rejected and full Earnest Money Deposit will be forfeited and I /We am/are liable to be banned from doing business with M/s.Jaya Durga Mahila Samity or prosecuted.

SIGNATURE OF THE TENDERER
(with seal and address)

PART-II

From,

Name:
Address:
Ph:
Fax:
E-mail:

To,

The Secretary,
M/s.Jaya Durga Mahila Samity,
Post Balapur, Via Satasankha,
PS Sathyabadi, Puri District,
Odisha - 752046

Sir,

Sub: Tender for the construction of Industrial Work shed buildings and amenities for Radharani Coir Cluster, Puri (Package Number: _____) - Submission of Part II - Price Offer-Reg.

Ref:- Our tender (Technical Bid) submitted for the “Construction of Industrial Work shed buildings and amenities for Radharani Coir Cluster, Puri”

In continuation of our above tender, we submit herewith the price offer for the “Industrial Work shed buildings and amenities for Radharani Coir Cluster, Puri” as specified by IA in this tender document.

We agree to abide by the terms and conditions stipulated by the IA and also agree to complete the entire contract, at the rates quoted by us. The rate quoted and approved by the IA in this tender will hold good as per IA tender conditions.

Yours faithfully,

SIGNATURE OF THE TENDERER

PRICE BID FOR PACKAGE I
(Bidders to bid for the respective package)

(Amount in Rs.)

| Description | Basic Amount | SGST | CGST | IGST | Total Price including taxes |
|---|--------------|------|------|------|-----------------------------|
| Construction of work shed building and amenities for the Common Facility Centre I of Radharani Coir Cluster as per drawing and BoQ of Package I given in Annexure I | | | | | |
| Grand Total | | | | | |

Amount in Words: Rupees _____ only

Note:

- a) The Bidder shall quote the Lump sum costs in the above given format.
- b) The lump sum offer shall provide for all superintendence, labour, technical assistance, material, plant, equipment and all other things required for executing and completing all the works as per defined Scope of Work.

SIGNATURE OF THE TENDERER
(with seal and address)

PRICE BID FOR PACKAGE II
(Bidders to bid for the respective package)

(Amount in Rs.)

| Description | Basic Amount | SGST | CGST | IGST | Total Price including taxes |
|---|--------------|------|------|------|-----------------------------|
| Construction of work shed building and amenities for the Common Facility Centre II of Radharani Coir Cluster as per drawing and BoQ of Package II given in Annexure I | | | | | |
| Grand Total | | | | | |

Amount in Words: Rupees _____ only

Note:

- a) The Bidder shall quote the Lump sum costs in the above given format.
- b) The lump sum offer shall provide for all superintendence, labour, technical assistance, material, plant, equipment and all other things required for executing and completing all the works as per defined Scope of Work.

SIGNATURE OF THE TENDERER
(with seal and address)

PRICE BID FOR PACKAGE III
(Bidders to bid for the respective package)

(Amount in Rs.)

| Description | Basic Amount | SGST | CGST | IGST | Total Price including taxes |
|---|--------------|------|------|------|-----------------------------|
| Construction of work shed building and amenities for the Common Facility Centre III of Radharani Coir Cluster as per drawing and BoQ of Package III given in Annexure I | | | | | |
| Grand Total | | | | | |

Amount in Words: Rupees _____ only

Note:

- a) The Bidder shall quote the Lump sum costs in the above given format.
- b) The lump sum offer shall provide for all superintendence, labour, technical assistance, material, plant, equipment and all other things required for executing and completing all the works as per defined Scope of Work.

SIGNATURE OF THE TENDERER
(with seal and address)

PRICE BID FOR PACKAGE IV
(Bidders to bid for the respective package)

(Amount in Rs.)

| Description | Basic Amount | SGST | CGST | IGST | Total Price including taxes |
|---|--------------|------|------|------|-----------------------------|
| Construction of work shed building and amenities for the Common Facility Centre IV of Radharani Coir Cluster as per drawing and BoQ of Package IV given in Annexure I | | | | | |
| Grand Total | | | | | |

Amount in Words: Rupees _____ only

Note:

- a) The Bidder shall quote the Lump sum costs in the above given format.
- b) The lump sum offer shall provide for all superintendence, labour, technical assistance, material, plant, equipment and all other things required for executing and completing all the works as per defined Scope of Work.

SIGNATURE OF THE TENDERER
(with seal and address)

PRICE BID FOR PACKAGE V
(Bidders to bid for the respective package)

(Amount in Rs.)

| Description | Basic Amount | SGST | CGST | IGST | Total Price including taxes |
|---|--------------|------|------|------|-----------------------------|
| Construction of work shed building and amenities for the Common Facility Centre V of Radharani Coir Cluster as per drawing and BoQ of Package V given in Annexure I | | | | | |
| Grand Total | | | | | |

Amount in Words: Rupees _____ only

Note:

- a) The Bidder shall quote the Lump sum costs in the above given format.
- b) The lump sum offer shall provide for all superintendence, labour, technical assistance, material, plant, equipment and all other things required for executing and completing all the works as per defined Scope of Work.

SIGNATURE OF THE TENDERER
(with seal and address)

PRICE BID FOR PACKAGE VI
(Bidders to bid for the respective package)

(Amount in Rs.)

| Description | Basic Amount | SGST | CGST | IGST | Total Price including taxes |
|---|--------------|------|------|------|-----------------------------|
| Construction of work shed building and amenities for the Common Facility Centre VI of Radharani Coir Cluster as per drawing and BoQ of Package VI given in Annexure I | | | | | |
| Grand Total | | | | | |

Amount in Words: Rupees _____ only

Note:

- a) The Bidder shall quote the Lump sum costs in the above given format.
- b) The lump sum offer shall provide for all superintendence, labour, technical assistance, material, plant, equipment and all other things required for executing and completing all the works as per defined Scope of Work.

SIGNATURE OF THE TENDERER
(with seal and address)

PRICE BID FOR PACKAGE VII
(Bidders to bid for the respective package)

(Amount in Rs.)

| Description | Basic Amount | SGST | CGST | IGST | Total Price including taxes |
|---|--------------|------|------|------|-----------------------------|
| Construction of work shed building and amenities for the Common Facility Centre VII of Radharani Coir Cluster as per drawing and BoQ of Package VII given in Annexure I | | | | | |
| Grand Total | | | | | |

Amount in Words: Rupees _____ only

Note:

- a) The Bidder shall quote the Lump sum costs in the above given format.
- b) The lump sum offer shall provide for all superintendence, labour, technical assistance, material, plant, equipment and all other things required for executing and completing all the works as per defined Scope of Work.

SIGNATURE OF THE TENDERER
(with seal and address)

CHECKLIST OF DOCUMENTS**Documents to be enclosed in Part-I:**

| S.No | Checklist | Enclosed (Yes/No) | Reference in the Bid (Page No.) |
|------|--|-------------------|---------------------------------|
| 1. | A covering letter on your letter head addressed to the Secretary, M/s.Jaya Durga Mahila Samity, Post Balapur, Via Satasankha, PS Sathyabadi, Puri District, Odisha – 752046 (as per Annexure-II) | | |
| 2. | Tender conditions duly signed in each page and enclosed in token of accepting the Tender conditions | | |
| 3. | Demand Draft for Rs.____/- (Rupees _____ only), in favour of “Jayadurga Mahila Samiti”, payable at Puri, towards Earnest Money Deposit. | | |
| 4. | Authorization letter from the Company for the person to sign the tender | | |
| 5. | Details of the Tenderer (as per Annexure-III) | | |
| 6. | Average annual turnover statement duly certified by a Chartered Accountant (as per Annexure-IV) | | |
| 7. | List of Building construction works executed in last 3 years as per (Annexure-V) | | |
| 8. | Declaration for not having black listed by any other Govt. agencies (as per Annexure-VI) | | |
| 9. | Declaration for not having tampered the Tender documents downloaded from the websites www.coirboard.nic.in or www.itcot.com (Annexure-VII). | | |
| 10. | The copy of certificate of incorporation/registration. | | |
| 11. | Copy of Memorandum and Articles of Association | | |
| 12. | Copy of Registered Partnership deed, in case of Partnership Firm | | |
| 13. | Copy of Udyog Aadhaar, GST Registration Certificate & PAN Card | | |
| 14. | Valid Registration Certificate from PWD as Group A / Group B | | |

| S.No | Checklist | Enclosed (Yes/No) | Reference in the Bid (Page No.) |
|------|---|-------------------|---------------------------------|
| | Contractor or from Highways department | | |
| 15. | Work Orders issued by the clients | | |
| 16. | Performance certificate issued by the clients | | |
| 17. | The Annual Report / certified copies of Balance Sheet, Profit & Loss statement along with schedules for the last 3 consecutive financial years FY 2016-17, 2017-18 and 2018-19. | | |
| 18. | Latest I.T return | | |
| 19. | Notarized translated English version of the documents in a language other than English/Odia, if any | | |

Documents to be enclosed in Part-II

| S.No | Checklist | Enclosed (Yes/No) |
|------|--|-------------------|
| 1. | A covering letter on your letter head addressed to the Secretary, M/s.Jaya Durga Mahila Samity, Post Balapur, Via Satasankha, PS Sathyabadi, Puri District, Odisha – 752046 (as per Annexure-VIII) | |
| 2. | Price Bid as per Annexure- IX of the Tender document. | |

Both ‘Part I – Technical bid’ cover and ‘Part II – Price bid’ cover must be placed in a separate sealed cover superscripted as “Tender for the construction of Work shed buildings and amenities for Radharani Coir Cluster, Puri (Package No:_____)” and addressed to “M/s.Jaya Durga Mahila Samity, Post Balapur, Via Satasankha, PS Sathyabadi, Puri District, Odisha - 752046”, containing the name and address of the Tenderer.

Note: Tenders submitted in unsealed cover would summarily be rejected.